

S3i CONTROLLER ADJUSTABLE TOUCH PANEL

Product Code: NF-S3i-TP-AS



Features

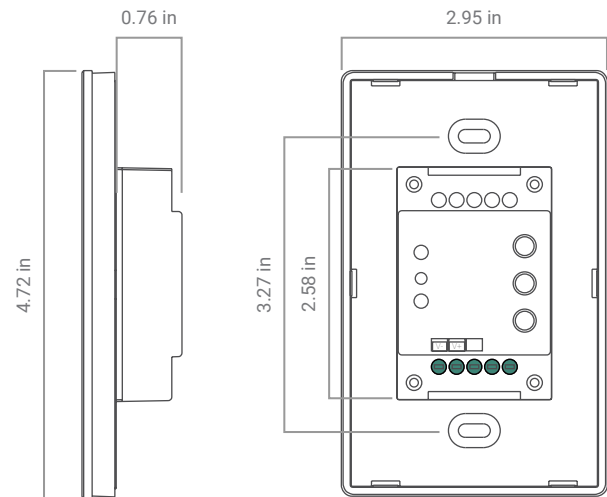
- Controls Kelvin Temp & brightness level
- Touch sensitive glass surface
- Fits in standard US switch box
- Control 4 zones simultaneously and/or separately
- Smart, simple, seamless integration
- 5 year warranty



Data	DC	AC
Output Signal	RF Signal	RF Signal
Power Supply	12 - 24 VDC	100 - 240 VAC
Power Consumption	200 mA	15 mA
Operating Temperature	32° - 104° F	32° - 104° F
Relative Humidity	8 - 80%	8 - 80%
Wireless Range	50 ft	50 ft

Low Voltage Power Supply Required

Dimensions



S3i WIRELESS RECEIVER

Product Code: NF-S3i-WR-1009

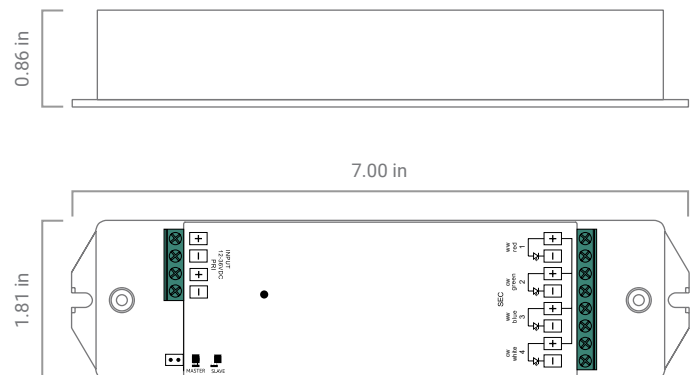
Use one receiver per zone, up to 6 zones depending on the controller selected. Pair with [NF-A-UNV](#) for large projects.



Data

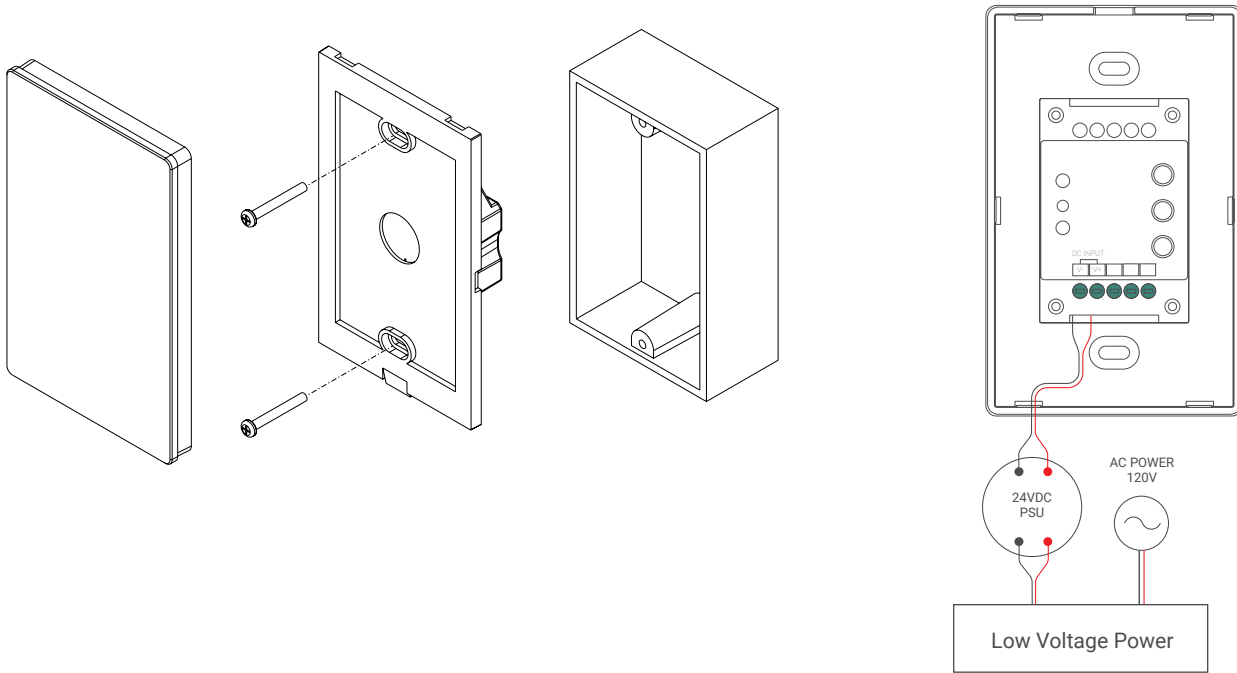
Input Voltage	12 - 36 VDC
Output Current	4 x 5 A
Output Power	240 - 720W

Dimensions

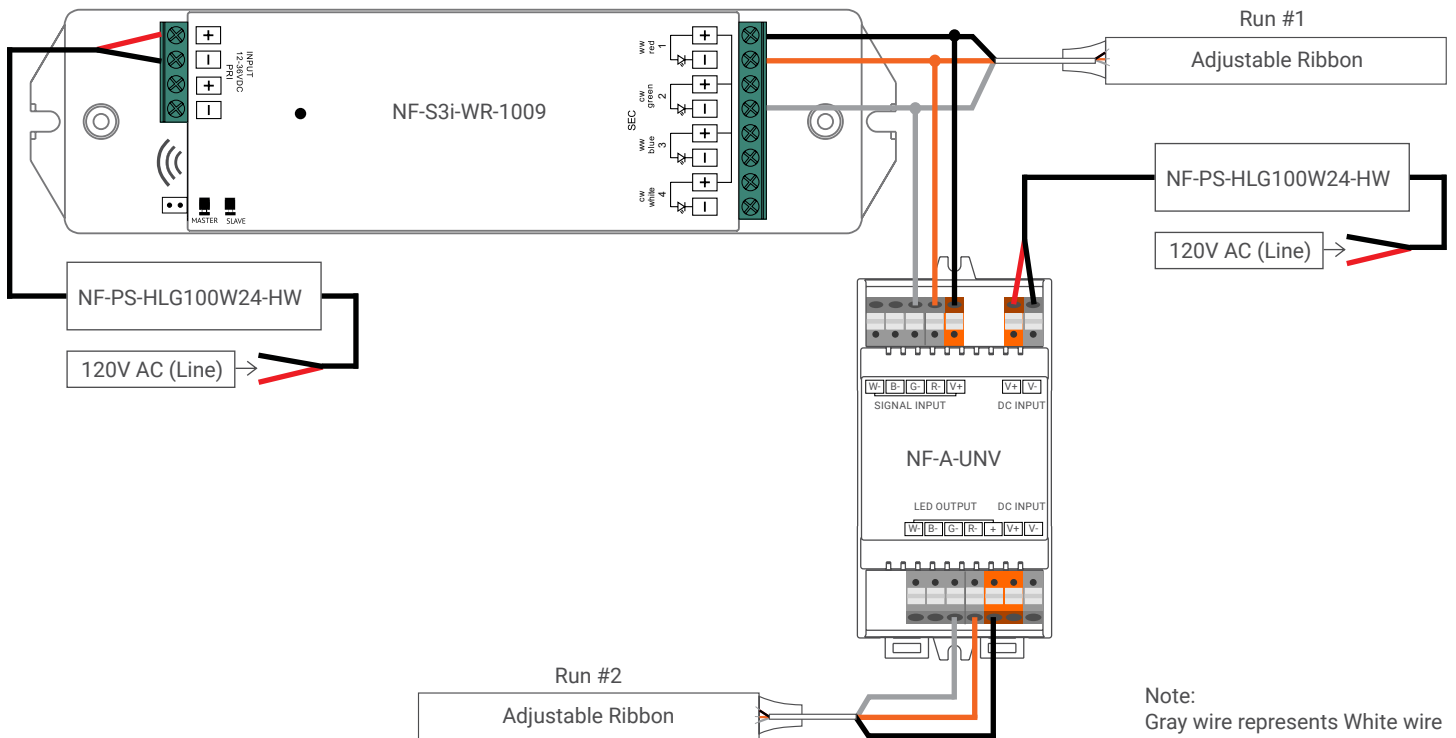


INSTALLATION S3i ADJUSTABLE TOUCH PANEL

Installation



Wiring Diagram



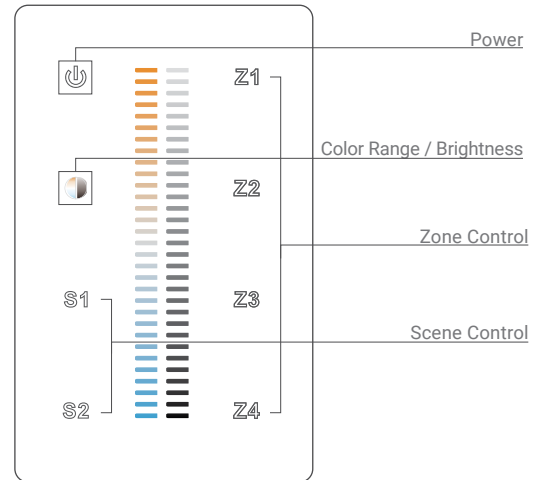
PAIRING / OPERATION S3i ADJUSTABLE TOUCH PANEL

Pairing

Turn on the Touch Panel (Indicator light will turn BLUE).

Click the Learning Key on the NF-S3i-WR-1009

Select your "ZONE" (# Z1-Z4) then play with color panel



Operation

Controlling Zones - Up to (4) different ZONES

Refer to "Pair" above to pair different zones. Once zone is paired, select the "ZONE" you'd like to control. Control how you'd like. Can control MULTIPLE ZONES at once (BLUE indicator dot will illuminate when selected).

Select ALL ZONES that you'd like to control. Then control how you'd like.

To get OFF this mode, simply move your finger on the color panel once and then select a specified ZONE you'd like to control.

Turn ON/OFF (1) Zone

Press and hold ZONE number you'd like to turn ON/OFF (BLUE = ON; GOLD = OFF).

Turn ON/OFF ALL Zones

Press the "Power" button (BLUE = ON ; GOLD = OFF).

Setting Scenes - Up to 2 different Scenes total

Press and hold "SCENE" number for 3 seconds (lights should flash when stored successfully).

Color Change

Select the ZONE(s) you'd like to control. Select the Color Range / Brightness Indicator Button on the LEFT hand side of the Touch Panel (GOLD indicator light = COLOR CHANGING MODE). Then use Color Panel to adjust Color Temperature.

Brightness

Select the ZONE(s) you'd like to control. Color Range / Brightness Indicator Button on the LEFT hand side of the Touch Panel (BLUE indicator light = BRIGHTNESS MODE). Then use Color Panel to adjust Brightness.

FOR MORE
INFORMATION
CLICK HERE

PROJECT SUPPORT

INSTALLATION GUIDES

WHY NOVA FLEX

RESOURCES