

# UNIVERSAL AMPLIFIER

Product Code: NF-A-UNV

NOVA FLEX<sup>®</sup>

## Features

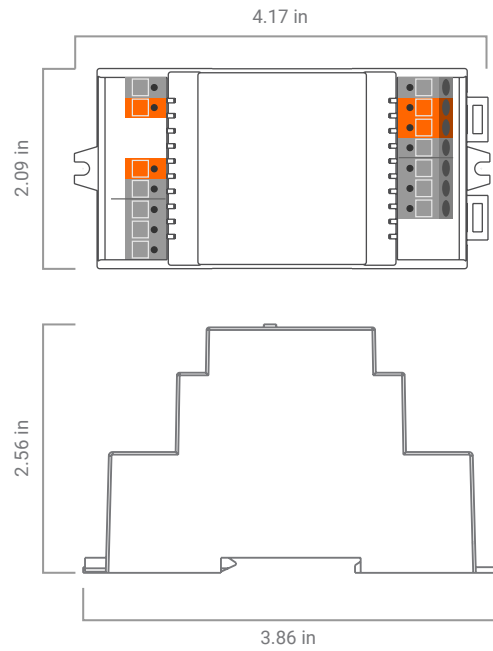
- Constant voltage
- Power repeater in series to expand output unlimitedly
- To receive PWM signal control
- Repeater dimming signal



## Data

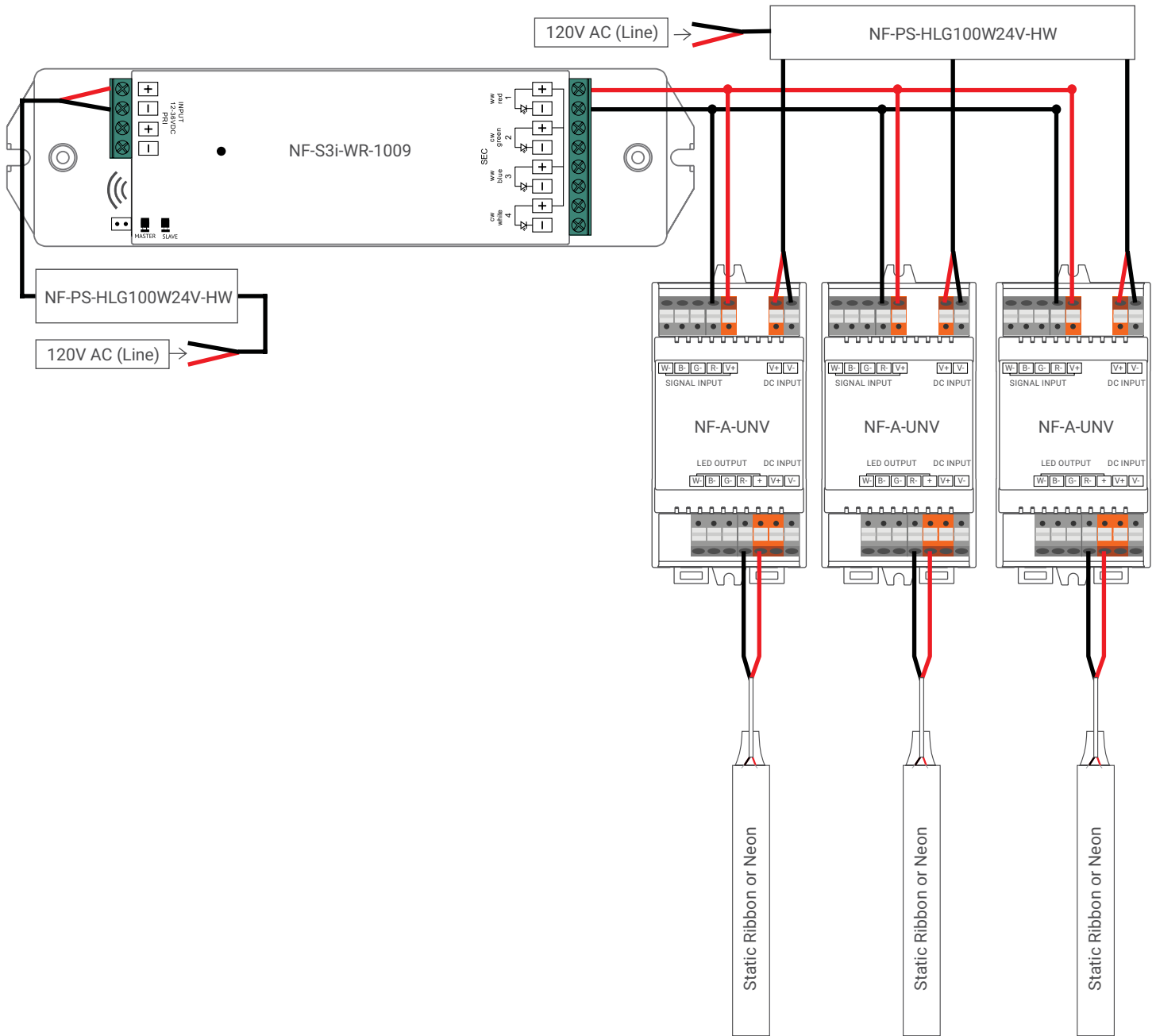
Input Voltage	12 - 36 VDC
Max Load Current	4 x 5A
Max Output Current	4 x (60 - 180)W

## Dimensions



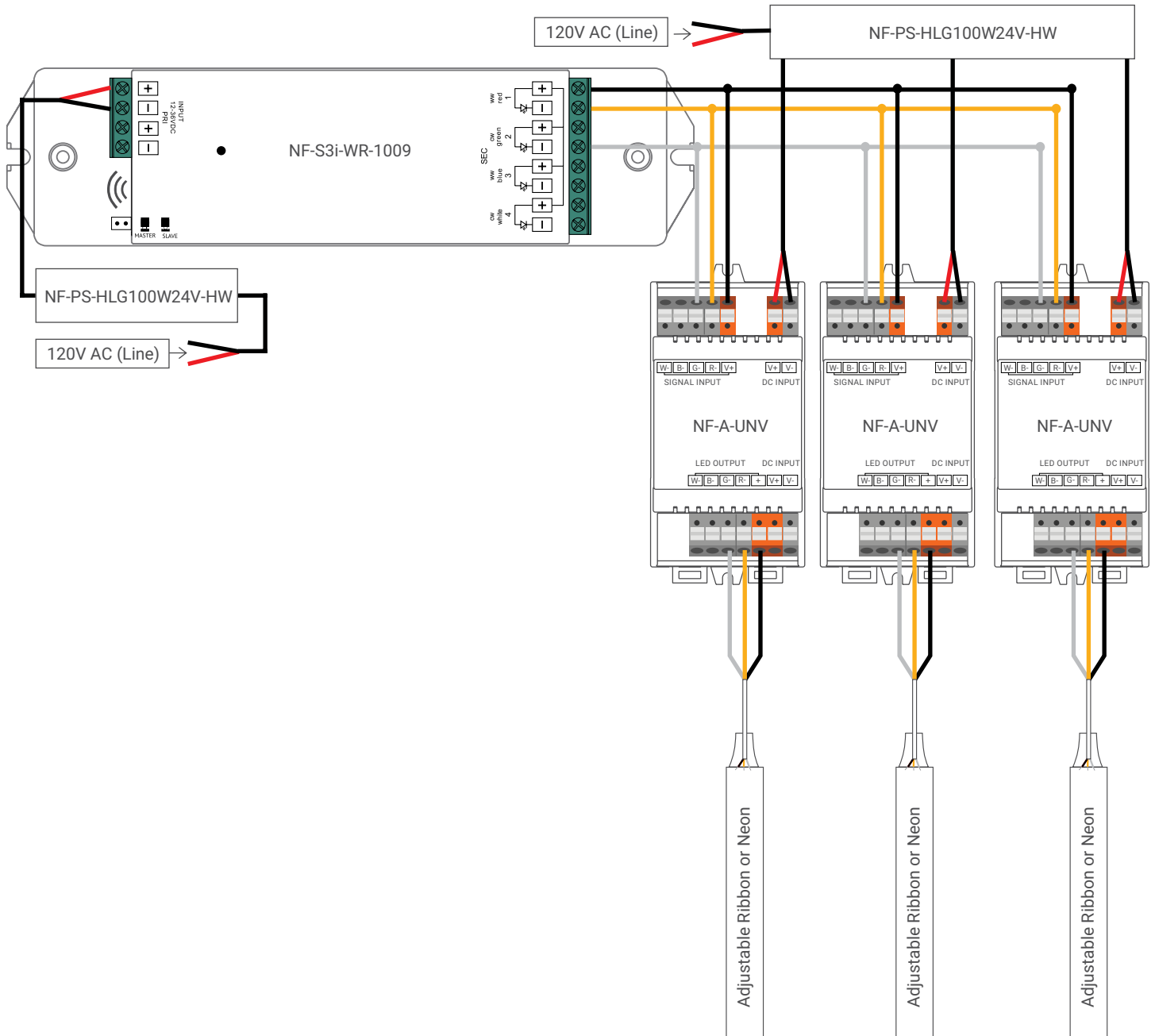
# WIRING DIAGRAM UNIVERSAL AMPLIFIER

Static



# WIRING DIAGRAM UNIVERSAL AMPLIFIER

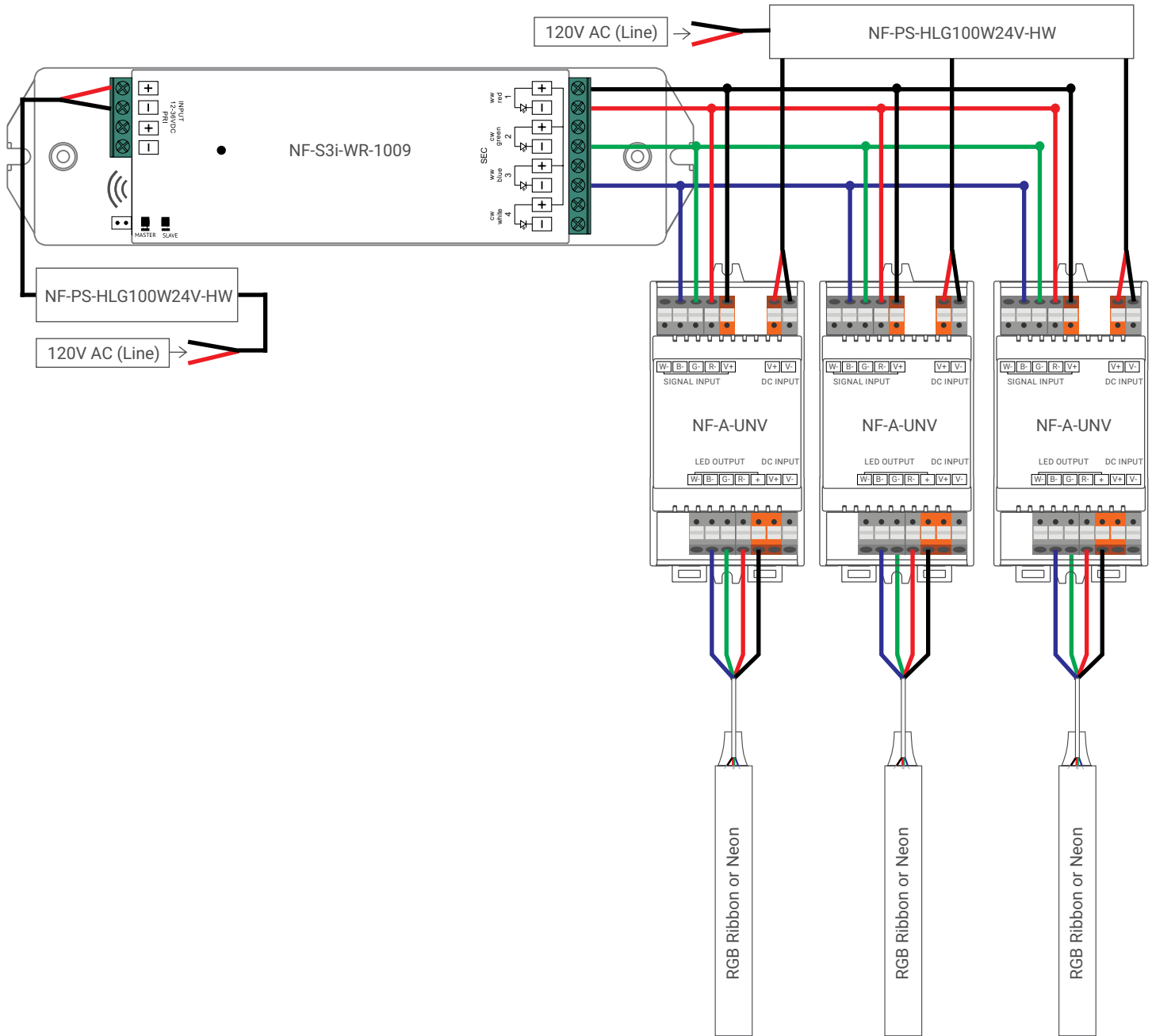
Adjustable



Gray = White Wire  
Orange = Yellow Wire

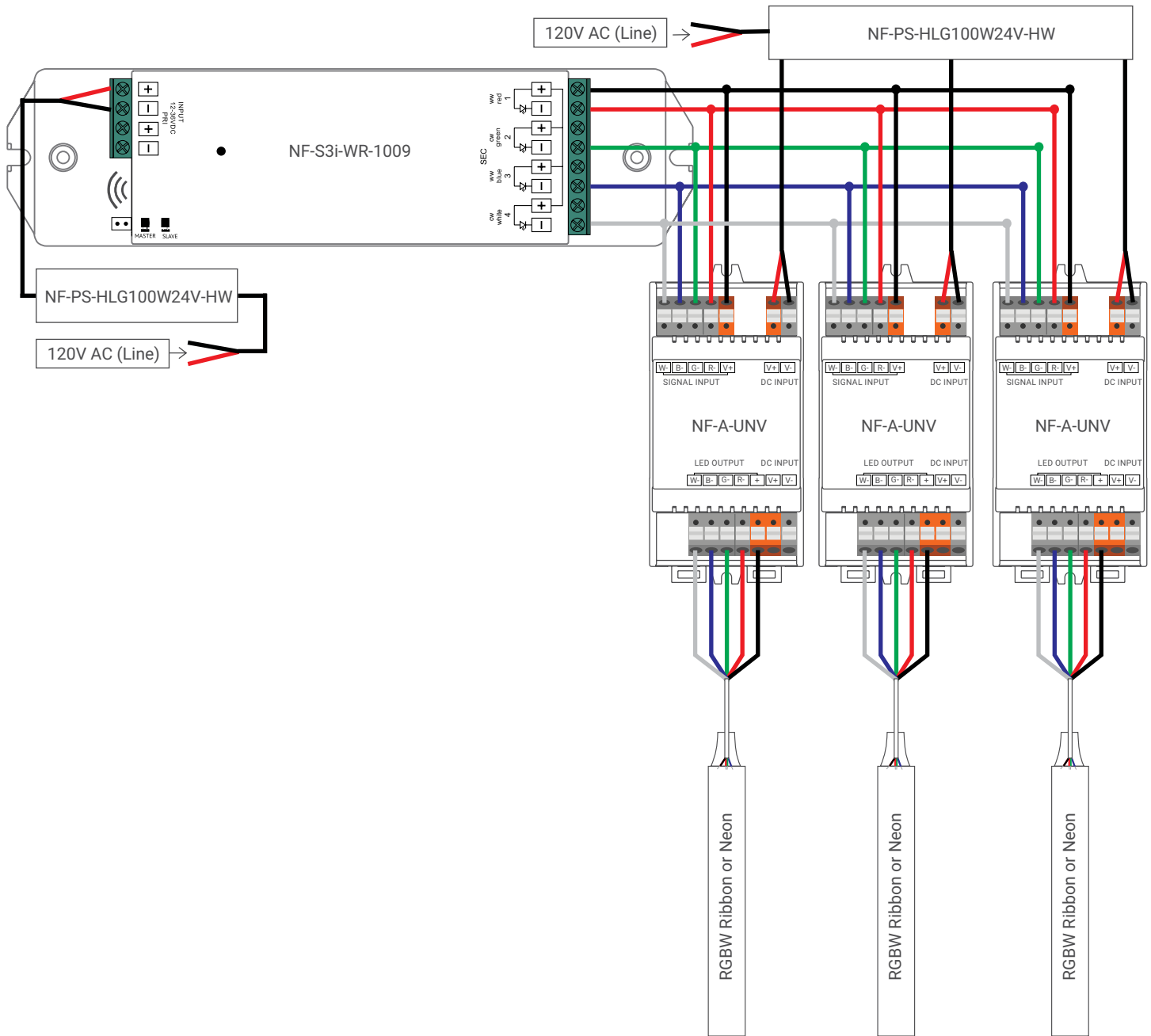
# WIRING DIAGRAM UNIVERSAL AMPLIFIER

RGB



# WIRING DIAGRAM UNIVERSAL AMPLIFIER

RGBW



FOR MORE  
INFORMATION  
CLICK HERE

PROJECT SUPPORT

INSTALLATION GUIDES

WHY NOVA FLEX

RESOURCES