

# INSTALLATION INSTRUCTIONS

## 120V FLX - MOUNTING

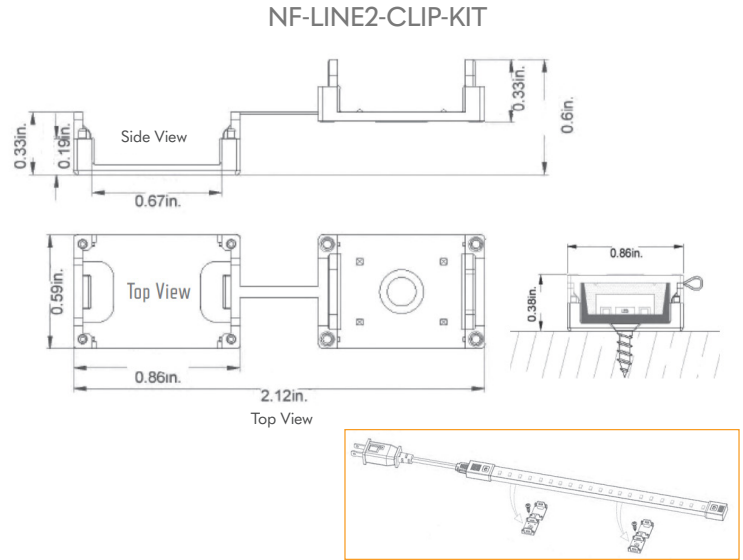
**NOVA FLEX**

### INSTALLATION & MOUNTING: PLASTIC CLIPS

1. Mounting with clips is suitable for indoor use, and for outdoor use in locations that are directly exposed to rain and snow, as long as there is adequate drainage, such that the LED strip won't be submerged.
2. For long runs, we recommend at least two people for installation.
3. The VHB tape is optional when mounting with plastic clips. Thus the polyethylene backing on the tape does not need to be removed, unless the VHB tape will be used.
 

Fix the clip to the mounting surface with a screw. We recommend one clip on each end of the run placed just inside the end caps and one clip every 12 inches.

Starting at one end, insert the 120V strip into the open clip, then snap both sides of the clip's top cover into place. Repeat for each clip along the run.



### INSTALLATION: CHANNEL, LENS & ENDCAPS

- A. This mounting option (with channel, lens, and endcaps) is suitable for indoor use, and for outdoor locations that aren't directly exposed to rain and snow. Direct exposure to rain and snow can lead to water entering and pooling in the channel, which can impact performance and life.
- B. For long runs, we recommend at least two people for installation.
- C. 3M advises that proper bond for this VHB tape occurs after 72 hours.
- D. The 120V strip on its non-wired end will rest inside the channel, flush against the inside edge of the channel's aluminum endcap as shown in **image A**. The aluminum endcap to use on this end is the one without a hole.
- E. The 120V strip on its opposite, wired end should be oriented as shown in **image B**. The aluminum endcap to use on this end is the one with the hole.



1. Direct mount the channel to the surface with screws.
2. Clean the inside of the channel with a 50/50 mix of water and isopropyl alcohol, and let it dry. This ensures an optimal bond for the VHB tape.
3. Install the aluminum endcap that doesn't have a hole (for the non-wired end) to the channel with two screws. These are self-tapping screws that must be properly centered. **We recommend use of a magnetic screwdriver with reasonable grip and length to ensure proper leverage, and easier centering and driving of the screws.**
4. Remove the protective backing from the VHB tape on the 120V strip, and affix the 120V strip to the channel, starting with the non-wired end (the lens should rest flush against the inside edge of the endcap, **per image A**). Apply even, steady pressure to the 120V strip to ensure it properly bonds to the channel.
5. Carefully install the clear flat or raised frosted lens. Starting at the non-wired end in which one endcap has been installed, and gradually working towards the other end, press the lens into the channel.
6. After ensuring that the lens is securely in place, install the aluminum endcap with the hole at the wired end, on the opposite end of the channel. **We recommend use of a magnetic screwdriver with reasonable grip and length to ensure proper leverage, and easier centering and driving of the screws.**

Nova Flex retains the right to modify the design of our products at any time as part of the company's continual product improvement program

PROJECT

FIXTURE

PHASE

DATE

Rev: Jan.30.24.01:57

800.595.6302

novaflexled.com

# INSTALLATION INSTRUCTIONS

## 120V FLX - DIMMERS

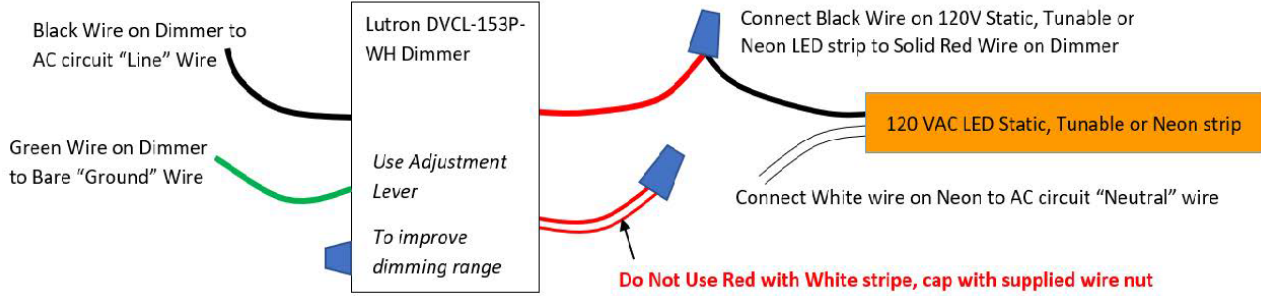


### INSTALLATION: DIMMERS

Follow all notes in the install guide supplied with the dimmer

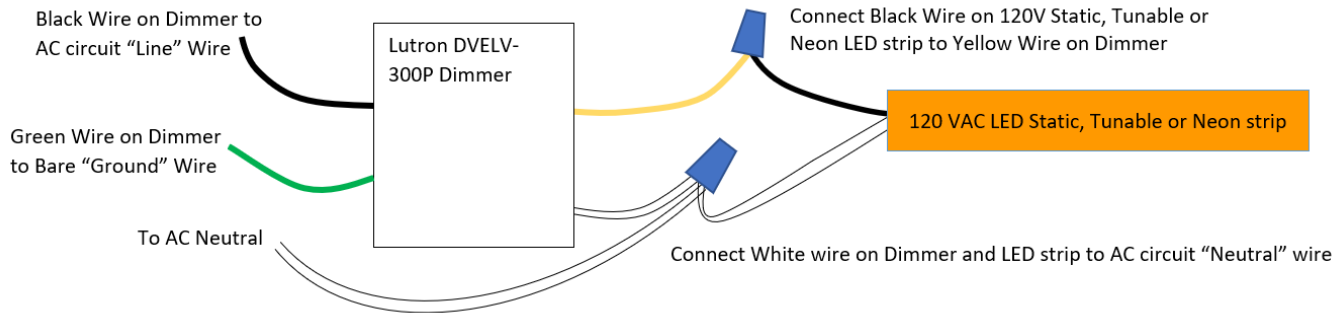
#### LUTRON DVCL-153P

Go to [lutron.com](http://lutron.com) for more info



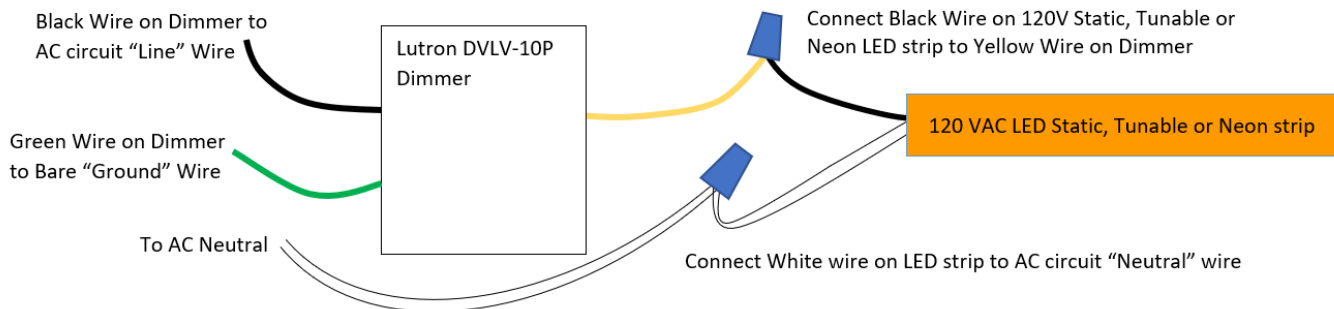
#### LUTRON DVELV-300P

Go to [lutron.com](http://lutron.com) for more info



#### LUTRON DVLV-10P

Go to [lutron.com](http://lutron.com) for more info



Nova Flex retains the right to modify the design of our products at any time as part of the company's continual product improvement program

PROJECT

FIXTURE

PHASE

DATE

Rev: Jan.30.24.01:57

800.595.6302

[novaflexled.com](http://novaflexled.com)