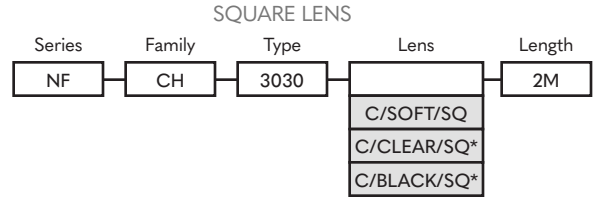
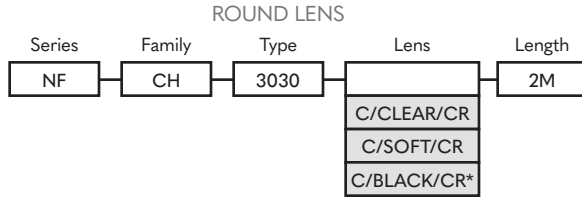
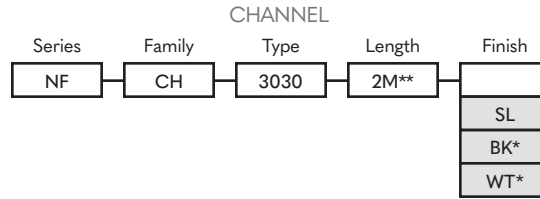


# ORDER GUIDE ANGLED

# 3030



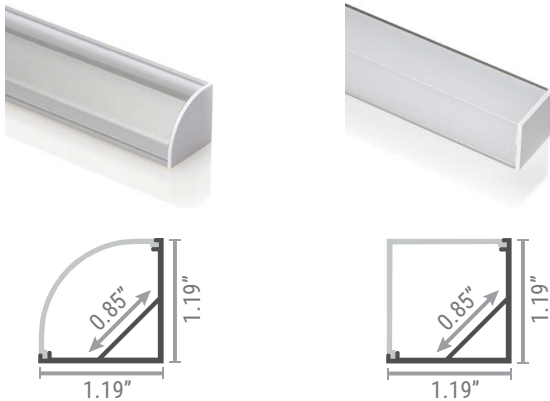
PART NUMBER BUILDER:



**Notes:**

- \*Lead-time 7-10 weeks
- \*\*Custom length available, additional fee may apply.
- Lenses are suitable for outdoor use with respect to exposure to ultraviolet light and water exposure in accordance with UL 746C.

## ENVIRONMENT AND DIMENSIONS



## MOUNTING OPTIONS

### Mount with Clips

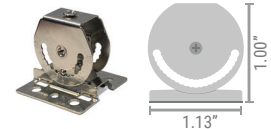


Part Number

NF-CH-3030-CLIP

### Adjustable Clip

Angles: 0°/15°/30°/45°/60°/75°/90°



Part Number

NF-CH-UNV-CLIP/ADJ

### Direct Mount



## CUTOFF



## MOUNTING OPTIONS

- |                       |   |
|-----------------------|---|
| NF-CH-3030-EC/SQ      | Squared End Cap Without Hole - 5 pack       |
| NF-CH-3030-ECH/SQ     | Squared End Cap With Hole - 5 pack          |
| NF-CH-3030-EC/CR      | Curved End Cap Without Hole - 5 pack        |
| NF-CH-3030-EC/CR-BK   | Curved End Cap Without Hole - 5 pack Black  |
| NF-CH-3030-EC/SQ-BK   | Squared End Cap Without Hole - 5 pack Black |
| NF-CH-3030-ECH/CR     | Curved End Cap With Hole - 5 pack           |
| NF-CH-3030-ECH/CR-BK  | Curved End Cap With Hole - 5 pack Black     |
| NF-CH-3030-ECH/CR-LG  | Curved End Cap With Large Hole - 5 pack     |
| NF-CH-3030-ECH/SQ-8MM | Squared End Cap With Large Hole - 5 pack    |
| NF-CH-3030-ECH/SQ-BK  | Squared End Cap Without Hole - 5 pack Black |

Nova Flex LED, LLC. retains the right to modify the design of our products at any time as part of the company's continual product improvement program.