

ORDER GUIDE - POWER & CONTROL

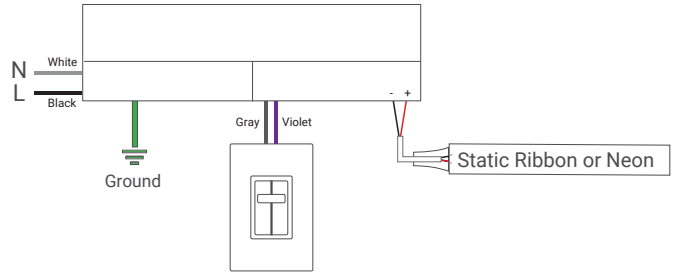
MAXX DIMMABLE | 30W



PART NUMBER

POWER SUPPLY

Series	Family	Type	Wattage	Voltage	Dimmable
NF	PS	MAXX	30W	24V	0/10V



Dimming Control	0 - 10V
Dimming Level	0.01%
Compatible	Lutron, DVST-WH, DVT-WH

Notes:

INPUT

Voltage Range	100 ~ 277 VAC
Frequency	47 ~ 63 Hz
Current	0.5 A
Inrush Current	7 A 120VAC / 12 A 277VAC
Efficiency	79% 120VAC / 80% 277VAC
Power Factor	> 0.99 120VAC / 0.95 277VAC
THD	<20%

PROTECTION

Over Temperature	Yes
Over Load	Yes
Short Circuit	Yes
Warranty	2 - 5 Years (based on warranty of linear product purchased)

OUTPUT

Voltage	24VDC
Current	1.25 A
Load Regulation	1%
Optimal Load	10% - 95%

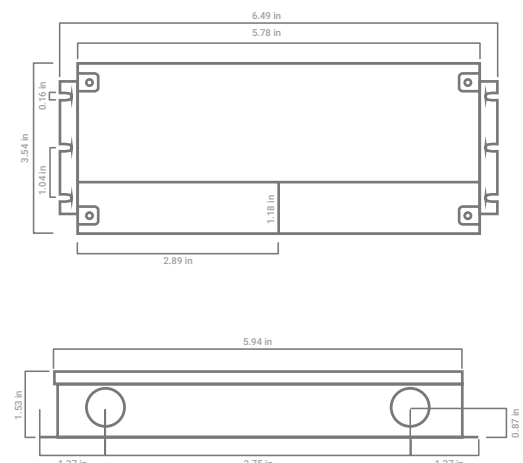
ENVIRONMENT

Protection Rating	UL Listed (UL8750), cUL Listed, Class 2 Unit, Type HL rated. FCC
Operating Temp	-4° to 113° F (-20° to 45° C)
Storage Temp	-40° ~ 176° F (-40° ~ 80° C) 10 ~ 95% HC

To meet local / national codes, this driver may require mounting in approved UL Enclosure.

PHYSICAL

Weight | 33.5 oz



Nova Flex LED, LLC. retains the right to modify the design of our products at any time as part of the company's continual product improvement program.