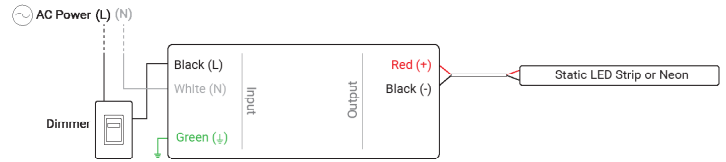
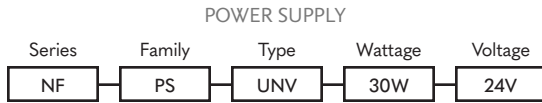


# ORDER GUIDE - POWER AND CONTROL

## UNIVERSAL DIMMABLE | 30W



### PART NUMBER



Notes:

### PHYSICAL

Voltage Range	120 ~ 277 VAC
Frequency	47 ~ 63 Hz
Current	0.5 A / 100 VAC
Inrush Current	7 A / 120 VAC 12 A / 277 VAC
Efficiency	79% @ 120 VAC 80% @ 277 VAC
Voltage	24 VDC
Current	1.25 A
Load Regulation	±1%

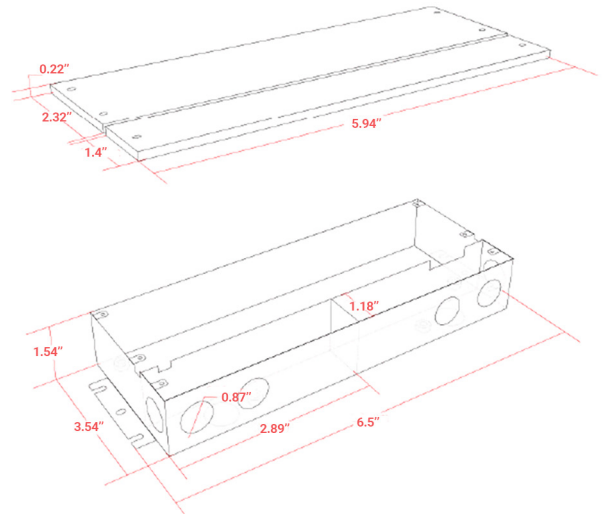
### ENVIRONMENT

Protection Rating	cULus Listed, UL 8750, Class 2, Type HL rated, FCC
Operating Temp	-40° to 140° F (-40° to 60° C)
Storage Temp	-40° ~ 176° F (-40° ~ 80° C) 10 ~ 95% HC
Warranty	2 - 5 Years (based on warranty of ribbon/neon purchased)

To meet local / national codes, this driver may require mounting in approved UL Enclosure.

### DIMENSIONS

Weight | 2.09 lbs



Nova Flex LED, LLC. retains the right to modify the design of our products at any time as part of the company's continual product improvement program.