

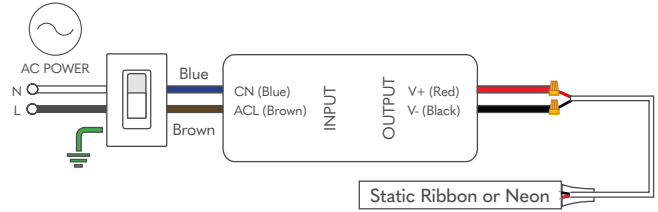
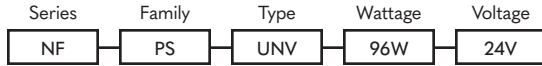
# ORDER GUIDE - POWER AND CONTROL

## UNIVERSAL DIMMABLE | 96W



### PART NUMBER

#### POWER SUPPLY



Notes:

### PHYSICAL

Voltage Range	120 ~ 277 VAC
Frequency	47 ~ 63 Hz
Current	1.3 A / 100 VAC
Inrush Current	20 A / 120 VAC 25 A / 277 VAC
Efficiency	83% @ 120 VAC 86% @ 277 VAC
Voltage	24 VDC
Current	4 A
Load Regulation	±1%

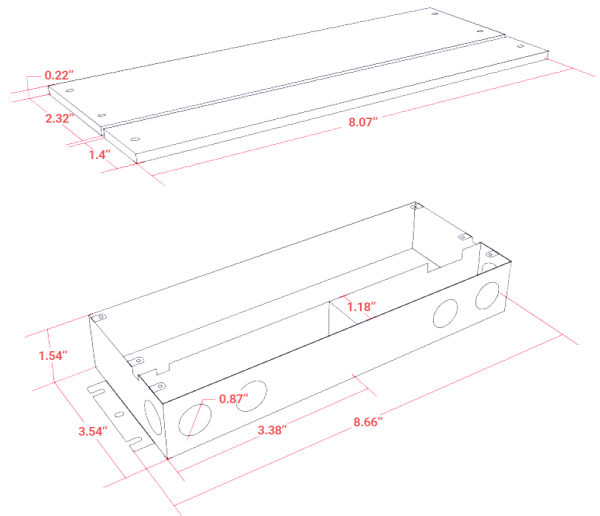
### ENVIRONMENT

Protection Rating	cULus Listed, UL 8750, Class 2, Type HL rated, FCC
Operating Temp	-40° to 140° F (-40° to 60° C)
Storage Temp	-40° ~ 176° F (-40° ~ 80° C) 10 ~ 95% HC
Warranty	2 - 5 Years (based on warranty of ribbon/ neon purchased)

To meet local / national codes, this driver may require mounting in approved UL Enclosure.

### DIMENSIONS

Weight | 2.87 lbs



Nova Flex LED, LLC. retains the right to modify the design of our products at any time as part of the company's continual product improvement program.

PROJECT

FIXTURE

PHASE

DATE

Rev: Mar.08.24/15:03

800.595.6302

novaflexled.com