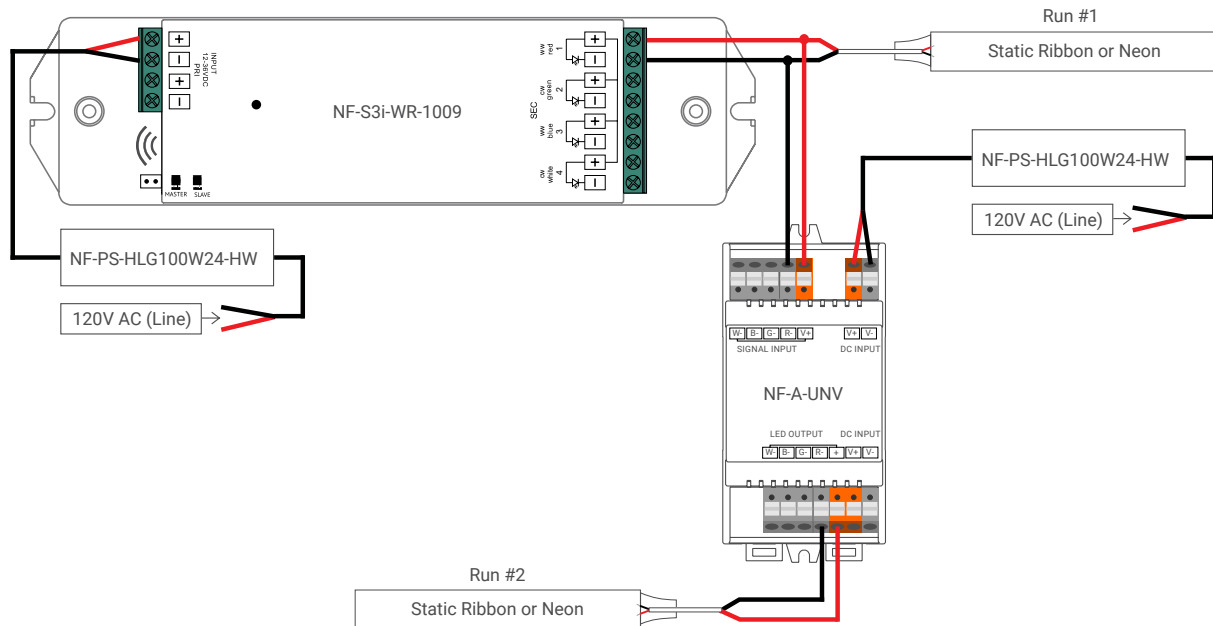


RESOURCE GUIDE - POWER & CONTROL

WALL MOUNT STC DIM | S3i

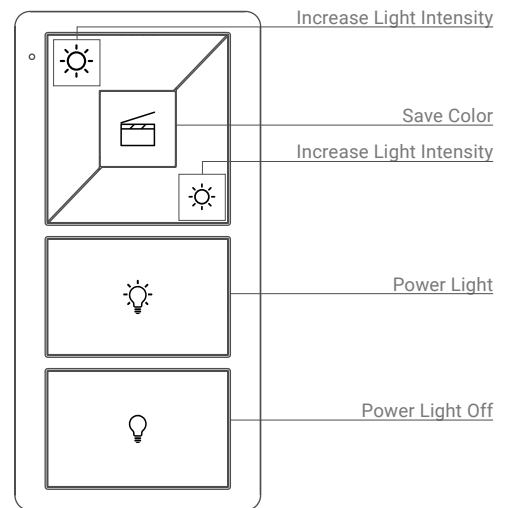
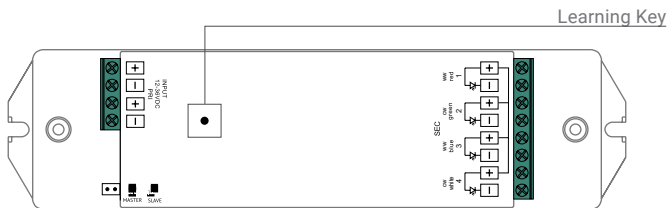


WIRING



PAIRING

Remove plastic battery saver within the controller to operate. Once NS-S3i-WR-1009 is discoverable, press ON button on controller (flash indicates pairing successful).



OPERATION

Scene - Up to (1) SCENE

Press and hold "SCENE BOARD" for 3 seconds (lights should flash when stored successfully).

Brightness

Press and hold sun ☀️ (top left) to adjust brightness (release button and press and hold again to go opposite direction) .

Nova Flex LED, LLC. retains the right to modify the design of our products at any time as part of the company's continual product improvement program.