

RESOURCE GUIDE - POWER & CONTROL

WIRELESS RECEIVER | S3I



PAIRING

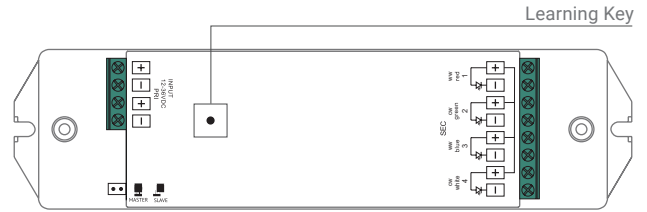
Pair - Click the "Learning Key" button on top of the device once. Then follow the pairing instructions for your controller.

Unpair ALL Remotes Option 1

Hold the "Learning Key" button on top of the device for about 4 seconds (lights should flash)

Unpair ALL Remotes Option 2

(Lights ON) Unplug and Plug In receiver (5) times in a row (make sure when you plug in for those (5) times, the light comes on first before you unplug again)



PAIRING

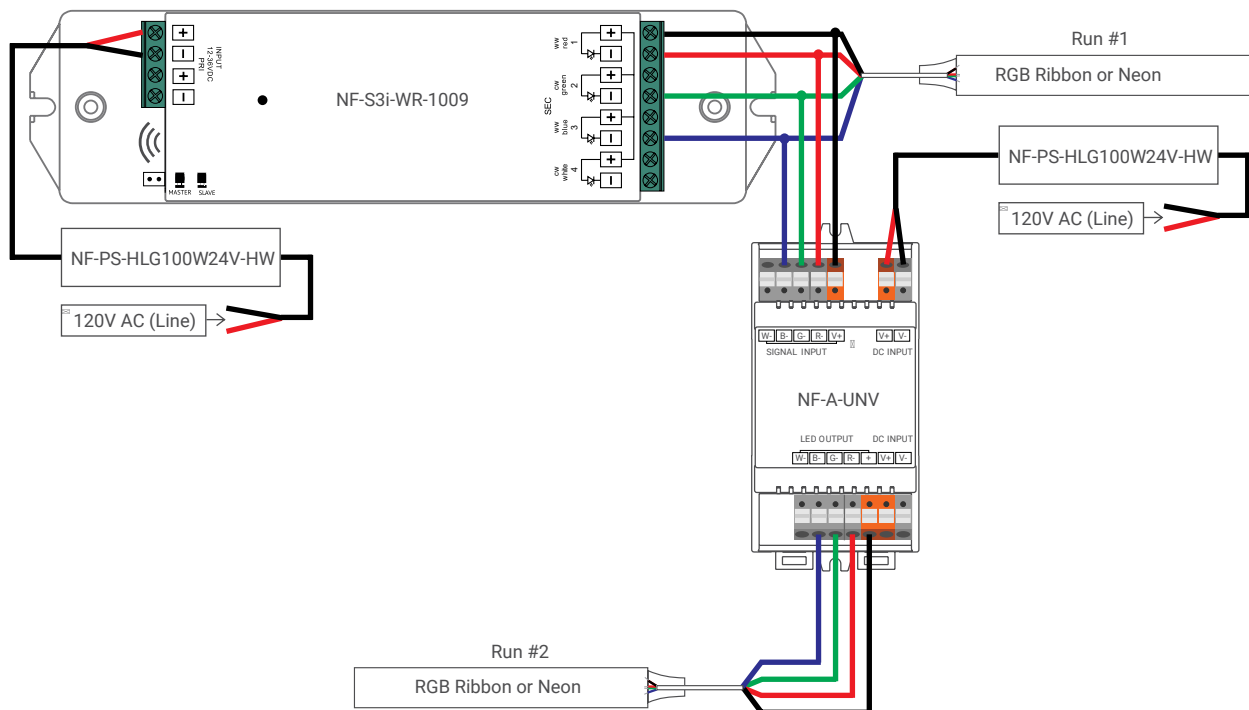
Primary / Secondary - Color Changing Synchronization throughout multiple NF-S3i-WC-1009 Receivers (ONLY "Play/Pause" Scenes can achieve)

Locate small BLACK CAP located on 2 pins sticking upward on the Power Side of the NF-S3i-WC-1009. This piece will set the PRIMARY. Relocate the CAP so that it covers BOTH Pins and Slide the CAP to the bottom. For the SECONDARY Receivers, Remove the CAP completely. Once the PRIMARY (ONLY ONE) and Secondary (as many ZONES as the Remote allows) are set, Power OFF and ON again the PRIMARY Receiver. This will set the Primary Function.

Once the PRIMARY and SECONDARY(s) are set, Select DIFFERENT ZONES for each Receiver to be Paired. Once ZONES are Paired, Select ZONE(s) and FIRST TURN OFF WHITE! Once WHITE is OFF, Select a Color Changing Scene and Set the preferred SPEED.

To test Synchronization, Power OFF (1) SECONDARY Run. After a few seconds, Power ON the SECONDARY Run. Wait 15 seconds for the signal to transfer.

S3I RGB WIRING DIAGRAM



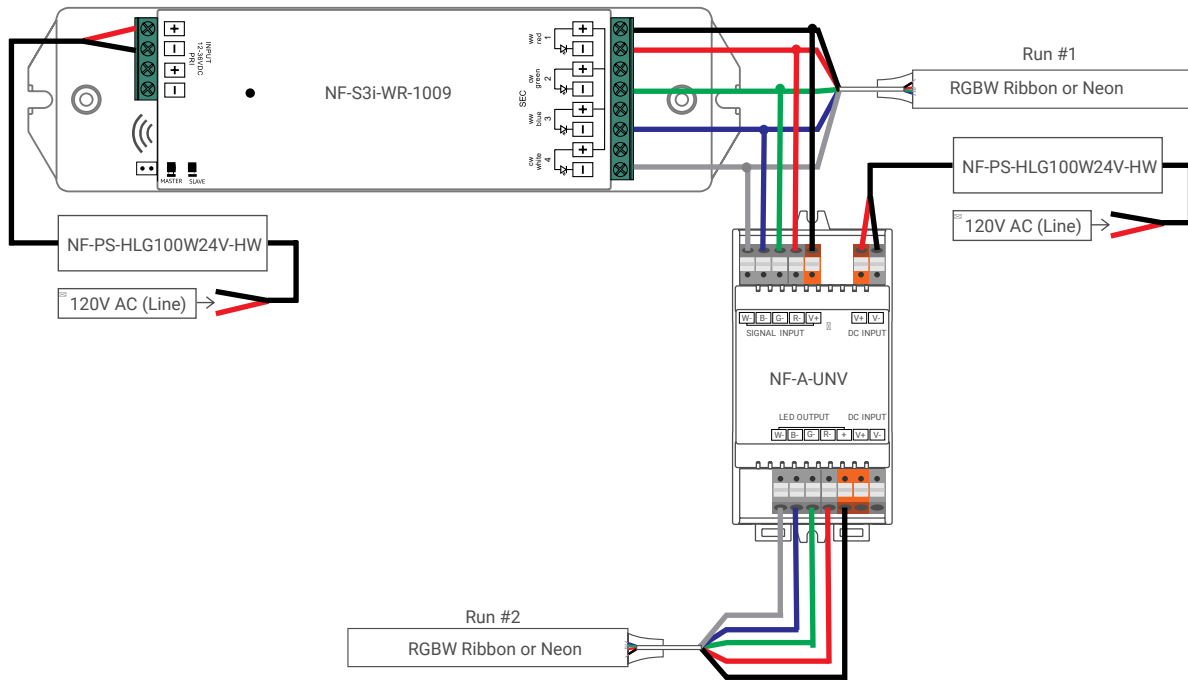
Nova Flex LED, LLC. retains the right to modify the design of our products at any time as part of the company's continual product improvement program.

RESOURCE GUIDE - POWER & CONTROL

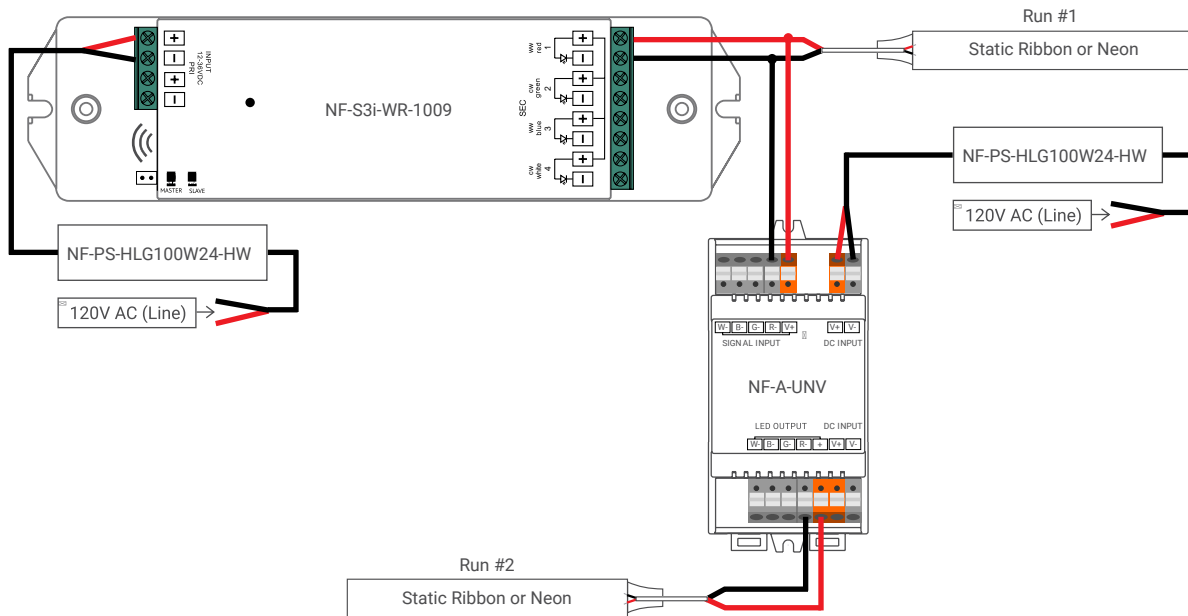
WIRELESS RECEIVER | S3I



S3I RGB/W WIRING DIAGRAM



S3I STATIC WIRING DIAGRAM



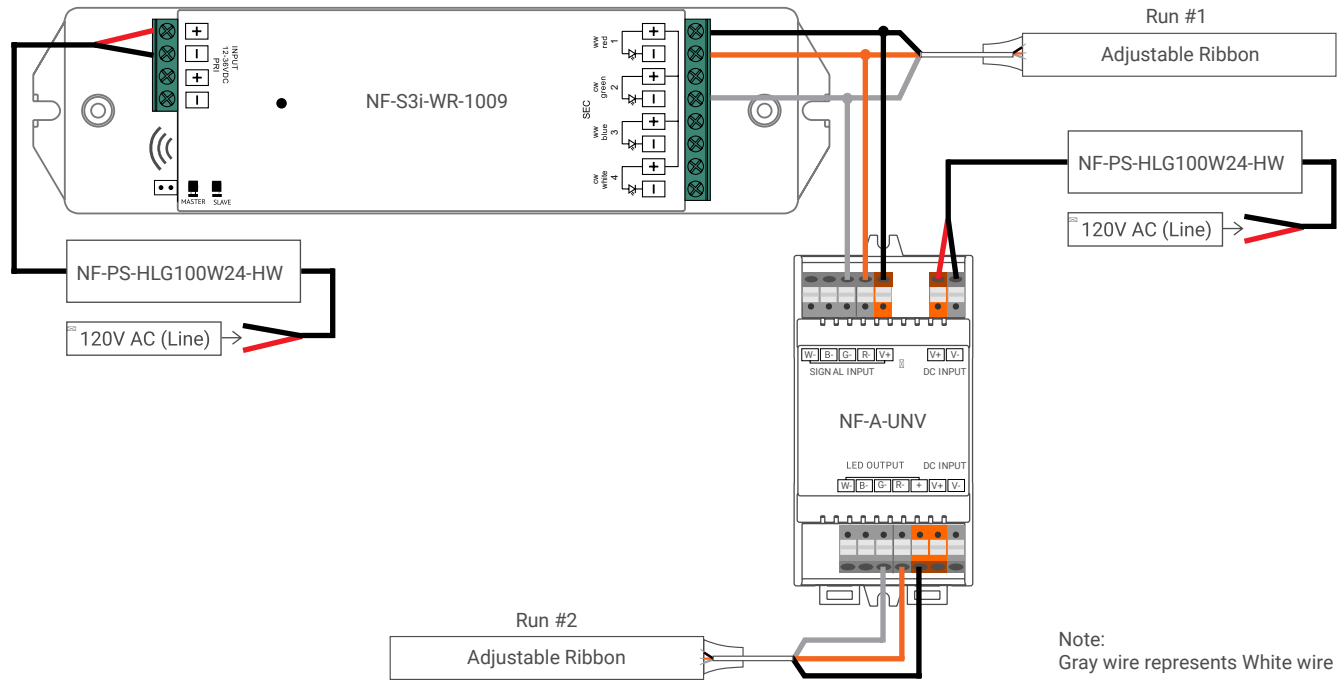
Nova Flex LED, LLC. retains the right to modify the design of our products at any time as part of the company's continual product improvement program.

RESOURCE GUIDE - POWER & CONTROL

WIRELESS RECEIVER | S3I



S3I ADJUSTABLE WIRING DIAGRAM



Nova Flex LED, LLC. retains the right to modify the design of our products at any time as part of the company's continual product improvement program.