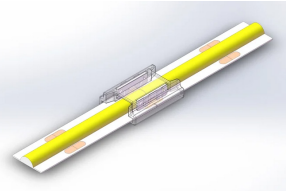


COMPATIBILITY - ACCESSORIES

COB CONNECTORS



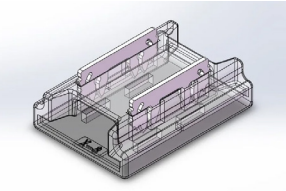
COB CONNECTORS - 2 CONDUCTORS



DRY | SINGLE COLOR | 2 CONDUCTORS
8MM PCB WIDTH | STRIP TO STRIP

COMPATIBLE WITH:
COB SWH 3.0
COB STC 3.0

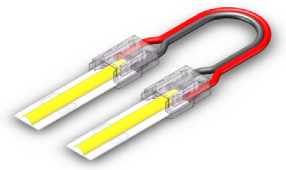
Series	Color	Type	Size	Environment	Conductors	Quantity
COB	SLC	STS	08	DRY	2C	05



DRY | SINGLE COLOR | 2 CONDUCTORS
8MM PCB WIDTH | STRIP TO WIRE
CUSTOMER SUPPLIED WIRE

COMPATIBLE WITH:
COB SWH 3.0
COB STC 3.0

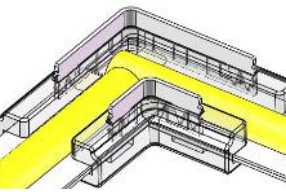
Series	Color	Type	Size	Environment	Conductors	Quantity
COB	SLC	STW	08	DRY	2C	05



DRY | SINGLE COLOR | 2 CONDUCTORS
8MM PCB WIDTH | STRIP TO STRIP WITH
15CM WIRE IN THE MIDDLE

COMPATIBLE WITH:
COB SWH 3.0
COB STC 3.0

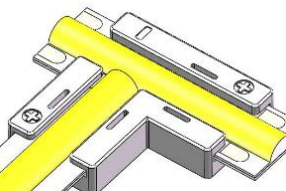
Series	Color	Type	Size	Environment	Conductors	Quantity
COB	SLC	J15	08	DRY	2C	05



L-TYPE FOR 8MM PCB

COMPATIBLE WITH:
COB SWH 3.0
COB STC 3.0

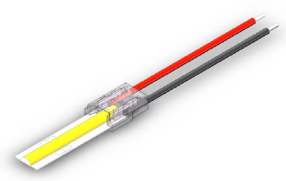
Series	Color	Type	Size	Environment	Conductors	Quantity
COB	SLC	L90	08	DRY	2C	05



T-TYPE FOR 8MM PCB

COMPATIBLE WITH:
COB SWH 3.0
COB STC 3.0

Series	Color	Type	Size	Environment	Conductors	Quantity
COB	SLC	T90	08	DRY	2C	05

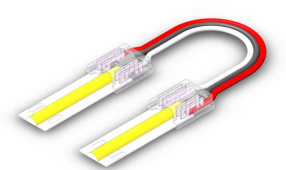


SINGLE COLOR | 8MM PCB WIDTH
POWER FEED WITH
15CM WIRE IN THE MIDDLE

COMPATIBLE WITH:
COB SWH 3.0
COB STC 3.0

Series	Color	Type	Size	Environment	Conductors	Quantity
COB	SLC	W15	08	DRY	2C	05

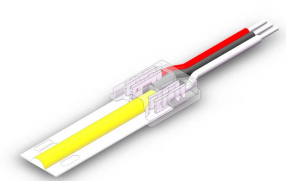
COB CONNECTORS - 3 CONDUCTORS



DRY | CCT | 10MM PCB WIDTH
STRIP TO STRIP WITH 15CM
WIRE IN THE MIDDLE

COMPATIBLE WITH:
COB TWH 6.1

Series	Color	Type	Size	Environment	Conductors	Quantity
COB	SLC	J15	10	DRY	3C	05



DRY | CCT | 10MM PCB WIDTH
POWER FEED WITH 15CM
WIRE IN THE MIDDLE

COMPATIBLE WITH:
COB TWH 6.1

Series	Color	Type	Size	Environment	Conductors	Quantity
COB	SLC	W15	10	DRY	3C	05

Nova Flex retains the right to modify the design of our products at any time as part of the company's continual product improvement program

PROJECT

FIXTURE

PHASE

DATE

Rev: Apr.25.24.01:25

800.595.6302

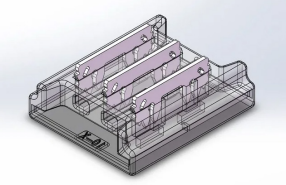
novaflexled.com

COMPATIBILITY - ACCESSORIES

COB CONNECTORS



COB CONNECTORS - 4 CONDUCTORS

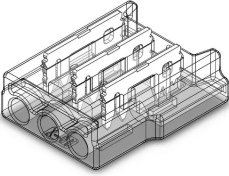


DRY | CCT/RGB | 4 CONDUCTORS
10MM PCB WIDTH | STRIP TO STRIP

COMPATIBLE WITH:

- COB RGB 4.4
- COB TWH 6.1

Series	Color	Type	Size	Environment	Conductors	Quantity
COB	SLC	STS	10	DRY	4C	05



DRY | CCT/RGB | 4 CONDUCTORS
10MM PCB WIDTH | STRIP TO WIRE
CUSTOMER SUPPLIED WIRE

COMPATIBLE WITH:

- COB RGB 4.4
- COB TWH 6.1

Series	Color	Type	Size	Environment	Conductors	Quantity
COB	SLC	STW	10	DRY	4C	05

Nova Flex retains the right to modify the design of our products at any time as part of the company's continual product improvement program

PROJECT

FIXTURE

PHASE

DATE

Rev: Apr.25.24.01:25

800.595.6302

novaflexled.com