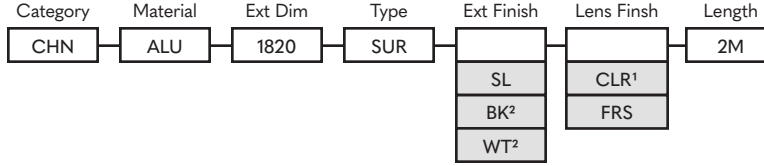


SPEC SHEET - ORDER GUIDE

ALU-1820 SURFACE



PART NUMBER BUILDER:

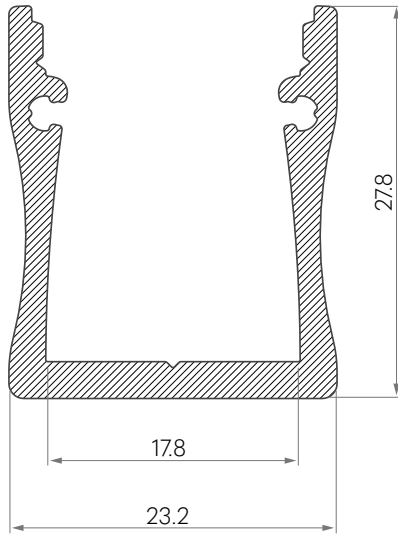


Notes:

- Configurations have a lead-time of 7-9 weeks
- Configurations have a lead-time of 2-3 weeks
- Lenses are suitable for outdoor use with respect to exposure to ultraviolet light and water exposure in accordance with UL 746C.
- Every 2M of channel comes with 2M of lens, 2 mounting clips, and 2 end caps of choice.

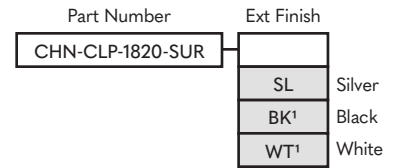
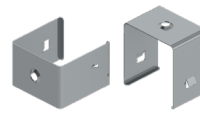
CHANNEL DIMENSIONS

Dimensions are in MM



MOUNTING OPTIONS

Mount with Clips



ACCESSORIES

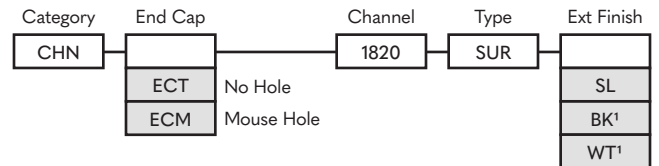
End Caps

Every 2M of channel comes with 2 end caps of choice.



EXTERIOR FINISH

SL	Silver
BK ²	Black
WT ²	White



LENS FINISH

CLR ¹	Clear Lens
FRS	Frosted Lens

Nova Flex LED, LLC. retains the right to modify the design of our products at any time as part of the company's continual product improvement program.