

SPEC SHEET - ORDER GUIDE

ALU-2024 SUSPENDED



PART NUMBER BUILDER:

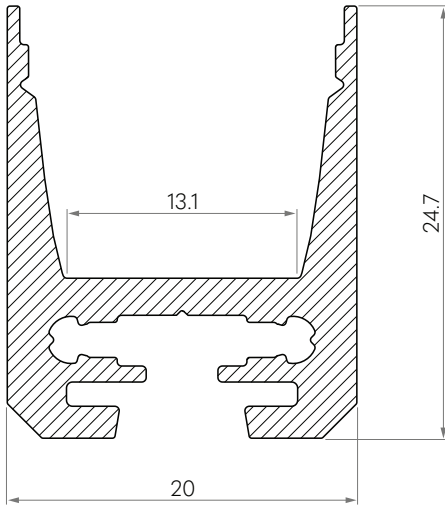
Category	Material	Ext Dim	Type	Ext Finish	Lens Finish	Length
CHN	ALU	2024	SUS			2M
				SL	CLR ¹	
				BK ²	FRS	
				WT ²		

Notes:

- Configurations have a lead-time of 7-9 weeks
- Configurations have a lead-time of 2-3 weeks
- Lenses are suitable for outdoor use with respect to exposure to ultraviolet light and water exposure in accordance with UL 746C.
- Every 2M of channel comes with 2M of lens, 2 mounting clips, and 2 end caps of choice.

CHANNEL DIMENSIONS

Dimensions are in MM



MOUNTING OPTIONS

Suspension Cable



Part Number

CHN-CAB-2

ACCESSORIES

End Caps

Every 2M of channel comes with 2 end caps of choice.



EXTERIOR FINISH

SL	Silver
BK ²	Black
WT ²	White

Category	End Cap	Channel	Type	Ext Finish
CHN		2024	SUS	
	ECT			SL
	ECM			BK ¹
				WT ¹

LENS FINISH

CLR ¹	Clear Lens
FRS	Frosted Lens

Nova Flex LED, LLC. retains the right to modify the design of our products at any time as part of the company's continual product improvement program.