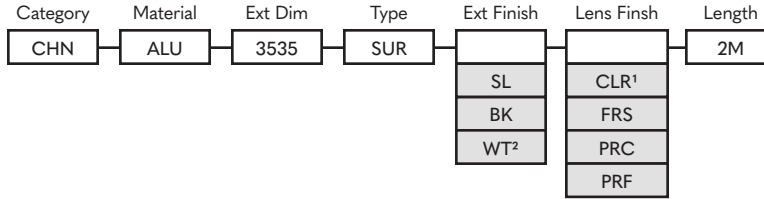


# SPEC SHEET - ORDER GUIDE

## ALU-3535 SURFACE



PART NUMBER BUILDER:

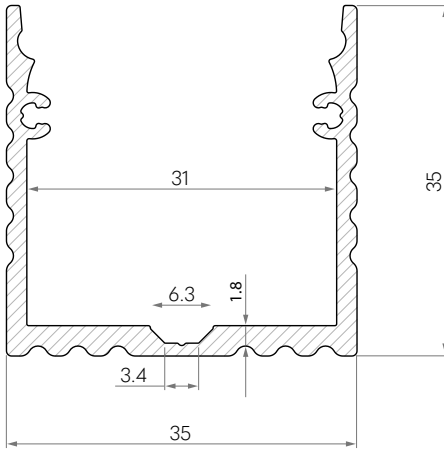


**Notes:**

1. Configurations have a lead-time of 7-9 weeks
2. Configurations have a lead-time of 2-3 weeks
3. This product is compatible with NF-120V Products
4. Lenses are suitable for outdoor use with respect to exposure to ultraviolet light and water exposure in accordance with UL 746C.
5. Every 2M of channel comes with 2M of lens, and 2 end caps of choice.

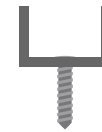
### CHANNEL DIMENSIONS

Dimensions are in MM



### MOUNTING OPTIONS

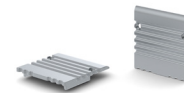
#### Direct Mount



### ACCESSORIES

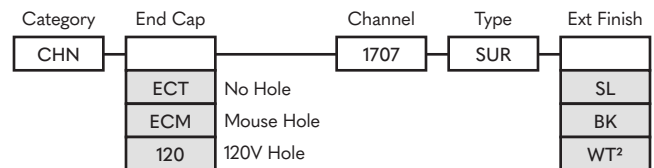
#### End Caps

Every 2M of channel comes with 2 end caps of choice.



### EXTERIOR FINISH

SL	Silver
BK	Black
WT <sup>2</sup>	White



### LENS FINISH

CLR <sup>1</sup>	Clear Lens
FRS	Frosted Lens
PRC	Prismatic Clear - Premium Lens, available with additional cost
PRF	Prismatic Frosted - Premium Lens, available with additional cost

Nova Flex LED, LLC. retains the right to modify the design of our products at any time as part of the company's continual product improvement program.

PROJECT | FIXTURE | PHASE | DATE

Rev: Nov.22.24/12:11

800.595.6302

novaflexled.com