

ORDER GUIDE - POWER & CONTROL

MINI DRGB DIMMER



PART NUMBER



Notes:

REMOTE DATA

Working Voltage	3V (CR2032 Battery)
Wireless Signal	RF 2.4 GHz
Working Temperature	-22° to 131° F (-30° to 55° C)
Wireless Range	95 Ft Non-Obstructed (28.96 m)

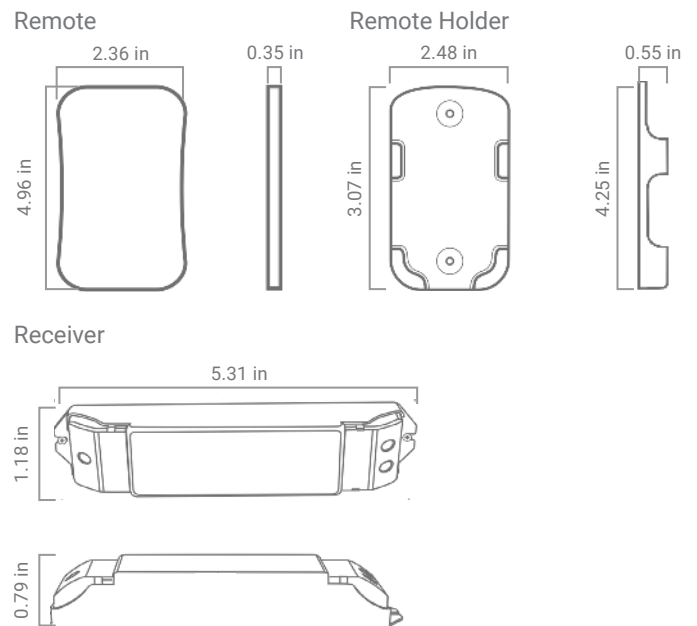
RECEIVER DATA

Power Input	5 - 24V DC
Output	SPI
Working Temp	-22° to 131° F (-30° to 55° C)
Weight	52 g
Wireless Signal	RF 2.4 GHz

DIMMING

Dimming	PWM / PFM IEEE PAR1789 No Effect Level Green for Flicker when used with Nova Flex drivers and Dimming modules.
Dimming Control	DMX, 3 channels per fixture, fixed

DIMENSIONS



Nova Flex LED, LLC. retains the right to modify the design of our products at any time as part of the company's continual product improvement program.

PROJECT

FIXTURE

PHASE

DATE

Rev: Nov.15.24/11:11

800.595.6302

novaflexled.com