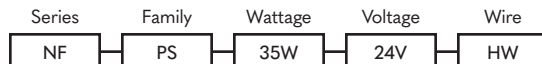


ORDER GUIDE

NON-DIMMABLE DRIVER | 35W



PART NUMBER



Notes:

INPUT

Voltage Range	90 ~ 246 VAC
Frequency	47 ~ 63 Hz
Current	1.1 A / 114 VAC
Inrush Current	30 A / 115 VAC
Efficiency	85%

PROTECTION

Over Current	110 ~ 150; Hiccup Mode
Over Voltage	27.6 ~ 32.4 V
Warranty	2 - 5 Years (based on warranty of linear product purchased)

OUTPUT

Voltage	24VDC
Current	1.5 A
Ripple	150 mVp-p
Line Regulation	1%
Load Regulation	2%
Turn on Delay Time	50 ms/230 VAC
Optimal Load	Up to 95%
Dimming	Non-Dim
Dimming Control	None

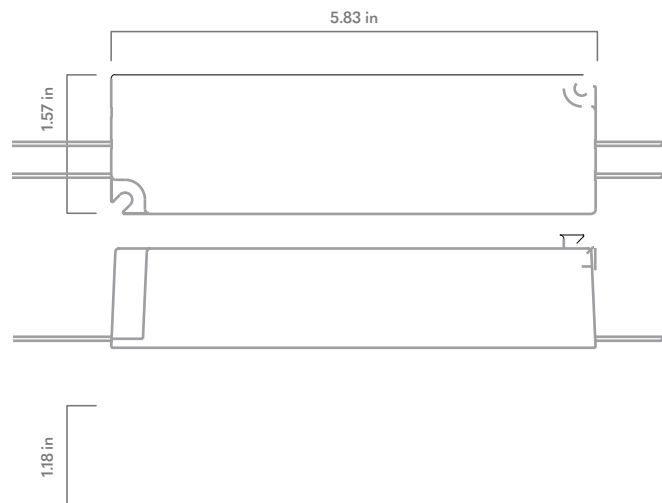
ENVIRONMENT

Protection Rating	UL 1310, Class 2, IP67
Operating Temp	-4° to 113° F (-20° to 45° C)
Storage Temp	-40° ~ 176° F (-40° ~ 80° C) 10 ~ 95% HC

To meet local / national codes, this driver may require mounting in approved UL Enclosure.

PHYSICAL

Weight | 11.2 oz



Nova Flex LED, LLC. retains the right to modify the design of our products at any time as part of the company's continual product improvement program.