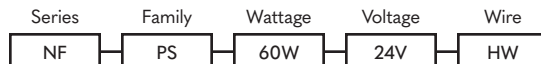


ORDER GUIDE

NON-DIMMABLE DRIVER | 60W



PART NUMBER



Notes:

INPUT

Voltage Range	90 ~ 246 VAC
Frequency	47 ~ 63 Hz
Current	1.2 A / 114 VAC
Inrush Current	30 A / 115 VAC
Efficiency	86%

PROTECTION

Over Current	110 ~ 150; Hiccup Mode
Over Voltage	27.6 ~ 32.4 V
Warranty	2 - 5 Years (based on warranty of linear product purchased)

OUTPUT

Voltage	24VDC
Current	2.5 A
Ripple	150 mVp-p
Line Regulation	1%
Load Regulation	6%
Turn on Delay Time	50 ms/230 VAC
Optimal Load	Up to 95%
Dimming	Non-Dim
Dimming Control	None

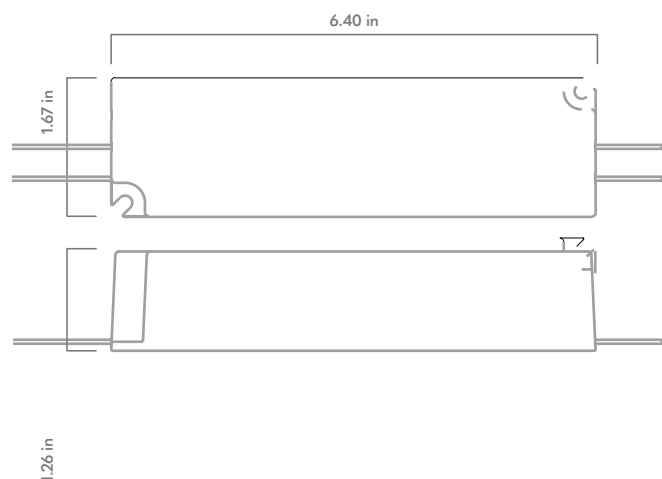
ENVIRONMENT

Protection Rating	UL 1310, Class 2
Operating Temp	-4° to 113° F (-20° to 45° C)
Storage Temp	-40° ~ 176° F (-40° ~ 80° C) 10 ~ 95% HC

To meet local / national codes, this driver may require mounting in approved UL Enclosure.

PHYSICAL

Weight | 14.4 oz



Nova Flex LED, LLC. retains the right to modify the design of our products at any time as part of the company's continual product improvement program.

PROJECT

FIXTURE

PHASE

DATE

Rev: Nov.14.24/19:11

800.595.6302

novaflexled.com