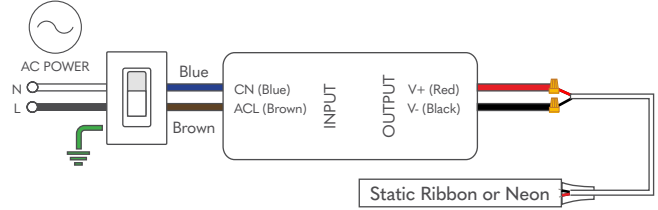
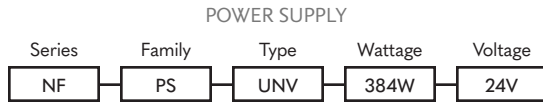


ORDER GUIDE - POWER AND CONTROL

UNIVERSAL DIMMABLE | 384W



PART NUMBER



Notes:

PHYSICAL

Voltage Range	120 ~ 277 VAC
Frequency	47 ~ 63 Hz
Current	4.1 A / 100 VAC
Inrush Current	22.8 A / 120 VAC 73.6 A / 277 VAC
Efficiency	88% @ 120 VAC 91% @ 277 VAC
Voltage	24 VDC
Current	4x4 A
Load Regulation	±1%

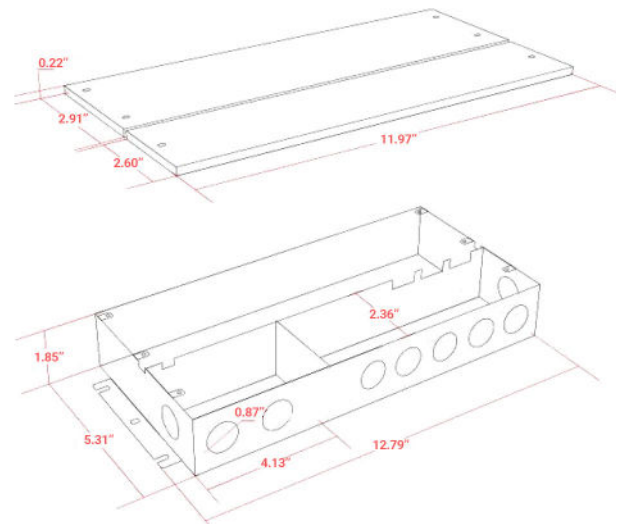
ENVIRONMENT

Protection Rating	cULus Listed, UL 8750, Class 2, Type HL rated, FCC
Operating Temp	-40° to 140° F (-40° to 60° C)
Storage Temp	-40° ~ 176° F (-40° ~ 80° C) 10 ~ 95% HC
Warranty	2 - 5 Years (based on warranty of Linear/Neon purchased)
Dimming	PWM / PFM IEEE PAR1789 No Effect Level Green for Flicker when used with Nova Flex drivers and Dimming modules.
Dimming Control	0-10V MLV / ELV

To meet local / national codes, this driver may require mounting in approved UL Enclosure.
1-10V ANSI C137.1 Compliant, "Electronic Off"

DIMENSIONS

Weight | 5.73 lbs



Nova Flex LED, LLC. retains the right to modify the design of our products at any time as part of the company's continual product improvement program.