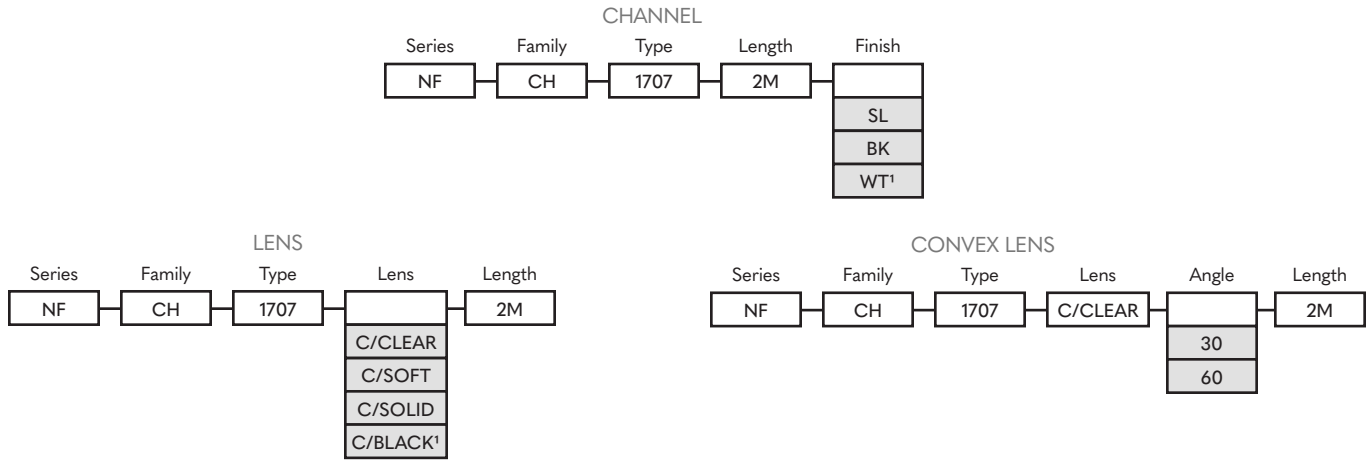


ORDER GUIDE SURFACE

1707



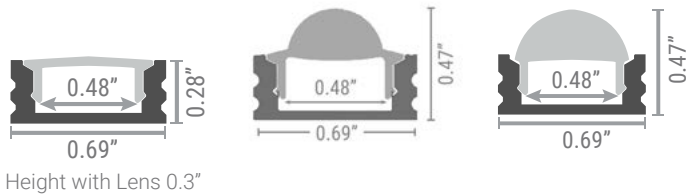
PART NUMBER BUILDER:



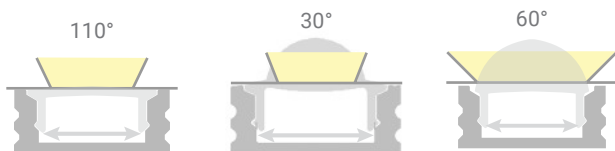
Notes:

- Lead-time 7-9 weeks
- Lenses are suitable for outdoor use with respect to exposure to ultraviolet light and water exposure in accordance with UL 746C.
- Every 2M of channel comes with 2M of lens, 4 mounting clips, and 2 end caps, one with a hole and one solid.

DIMENSIONS



CUTOFF



MOUNTING OPTIONS

Mount with Clips



Part Number

NF-CH-1707-CLIP

1707 Adjustable Clip

1.07" x 1.13" 1"



Part Number

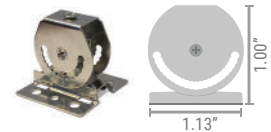
NF-CH-1707-CLIP/ADJ

Direct Mount



Adjustable Clip

Angles: 0°/15°/30°/45°/60°/75°/90°



Part Number

NF-CH-UNV-CLIP/ADJ

Additional Accessory
Requires Standard Channel Clips

ACCESSORIES

End Caps (Solid)

pack of 5



Part Number

NF-CH-1707-EC

End Caps (With Hole)

pack of 5



Part Number

NF-CH-1707-ECH

Nova Flex LED, LLC. retains the right to modify the design of our products at any time as part of the company's continual product improvement program.

PROJECT

FIXTURE

PHASE

DATE

Rev: Nov.13.24/14:11

800.595.6302

novaflexled.com