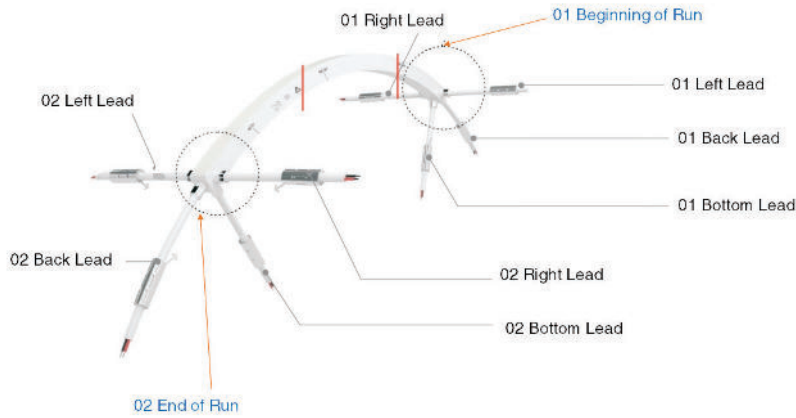


RESOURCE - INJECTION MOLD FINISH NF-NEON DTW

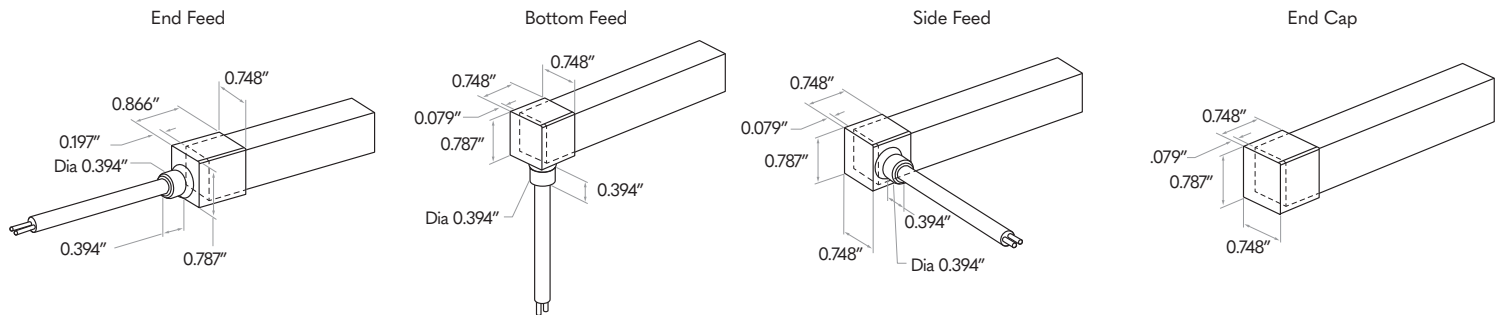


LEAD WIRE ORIENTATION



NOVA IN-HOUSE IP67 FRONT CONNECTORS AND END CAP:

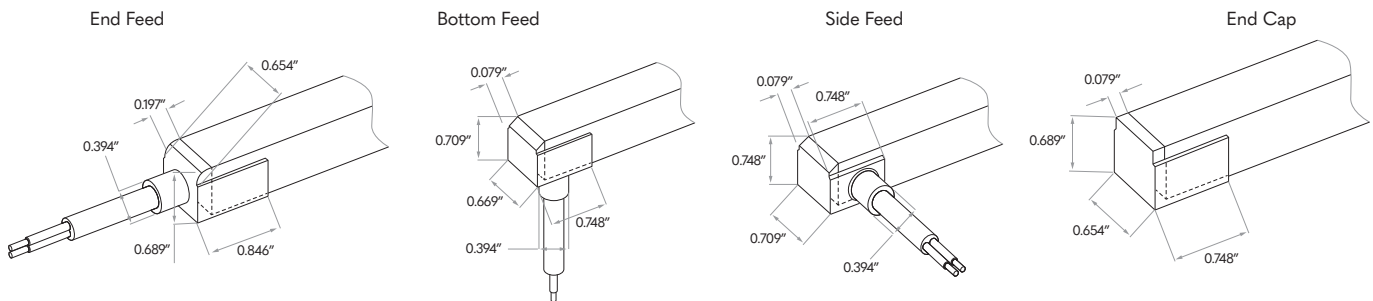
Measurement in Inches unless shown



Tolerance +/- 0.02 inches

SPECIAL ORDER IP68 FRONT CONNECTORS AND END CAP WITH A FURTHER REFINED FINISH:

Measurement in Inches unless shown



Tolerance +/- 0.02 inches

Nova Flex LED, LLC. retains the right to modify the design of our products at any time as part of the company's continual product improvement program.

PROJECT

FIXTURE

PHASE

DATE

Rev: Nov.15.24/12:11

800.595.6302

novaflexled.com

RESOURCE - CHANNEL COMPATIBILITY

NF-NEON DTW



COMPATIBLE CHANNELS

SILVER RIGID ALUMINUM PROFILE



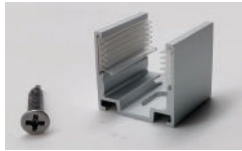
Width: 0.80" (2.03cm)
Height: 0.82" (2.08 cm)
Length: 6.56' (2 m)

Each 2M/6.56' section of profile has ten pre-drilled holes, and includes ten screws.

The molded caps used on each end for NovaFlex's in-house customization will rest outside the profile. Leave a .11 gap from the edge of the channel to the edge of each molded end cap.

Series	Family	Type	Length	
NF-CH	NEON	SQS	SR	2M

SILVER ALUMINUM CLIP



Width: 0.80" (2.03 cm)
Height: 0.82" (2.08 cm)
Length: 0.79" (2 cm)

This clip mounts behind the neon, with one screw (included).

Always use one clip near to each end of the run (leave a .5" gap from the edge of the clip to the edge of the molded endcap). We generally recommend 7-10 clips per 3.3 feet:

- For ceiling installs, we recommend 10 clips.
- For wall installs, straight runs, 7-clips; for curves/ shapes, wall or ceiling, use the number of clips needed to accomplish the desired shape.

Series	Family	Type	Clip
NF-CH	NEON	SQS	CLIP