

CHANNEL - COMPATIBILITY

LEGACY DS-240, PRO-240, DS-STC-240

IP RATING

DRY Dry DMP Damp

EXTERIOR FINISH

SLV Silver BLK Black WHT White

LENS FINISH

CLR Clear FRS Frosted 50FR 50% Frosted
 PRC Prismatic Clear PRF Prismatic Frosted

Notes:

1. Configurations have a lead-time of 7-9 weeks
2. Configurations have a lead-time of 2-3 weeks
3. See each Channel's Order Guide for complete Order Code

SURFACE CHANNEL

1707 SUR EXT FINISH LENS FINISH

Not compatible

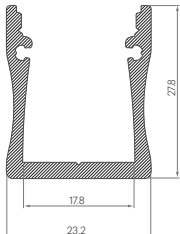
1715 SUR EXT FINISH LENS FINISH

Not compatible

1820 SUR EXT FINISH LENS FINISH

Dry Linear Only

DRY



SLV 1 CLR
 BLK 2 FRS
 WHT 2

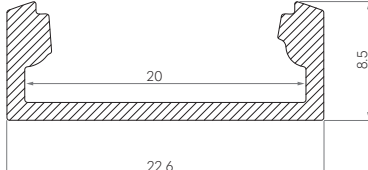
2024 SUR EXT FINISH LENS FINISH

Not compatible

2208 SUR EXT FINISH LENS FINISH

Dry Linear Only

DRY

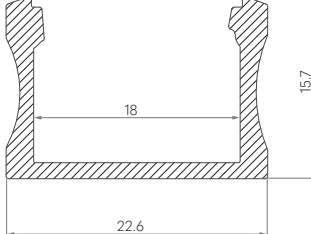


SLV CLR
 BLK 2 FRS
 WHT 2 50FR 1

2215 SUR EXT FINISH LENS FINISH

Dry Linear Only

DRY

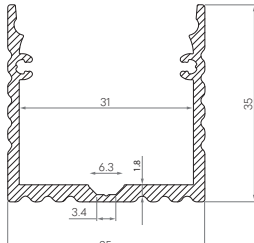


SLV CLR
 BLK 2 FRS
 WHT 2 50FR 1

3535 SUR EXT FINISH LENS FINISH

Dry and Damp Compatible

DRY DMP



SLV 1 CLR
 BLK 2 FRS
 WHT 2
 PRC
 PRF

*Lead time for this configuration is 7-10 weeks

Nova Flex LED LLC retains the right to modify the design of our products at any time as part of the company's continual product improvement program

CHANNEL - COMPATIBILITY

LEGACY DS-240, PRO-240, DS-STC-240

IP RATING

DRY Dry DMP Damp

EXTERIOR FINISH

SLV Silver BLK Black WHT White

LENS FINISH

CLR Clear FRS Frosted 50FR 50% Frosted
 PRC Prismatic Clear PRF Prismatic Frosted

Notes:

1. Configurations have a lead-time of 7-9 weeks
2. Configurations have a lead-time of 2-3 weeks
3. See each Channel's Order Guide for complete Order Code

ANGLED CHANNEL

1726 ANG EXT FINISH LENS FINISH

Not compatible

MUD-IN CHANNEL

3534 MUD EXT FINISH LENS FINISH

Dry and Damp Compatible

DRY DMP

SLV CLR FRS PRC PRF

UNIVERSAL CHANNEL

3535 UNV EXT FINISH LENS FINISH

Dry and Damp Compatible

DRY DMP

SLV 1 CLR
 BLK 2 FRS
 WHT 2 PRC PRF

*Lead time for this configuration is 7-10 weeks

Nova Flex LED LLC retains the right to modify the design of our products at any time as part of the company's continual product improvement program