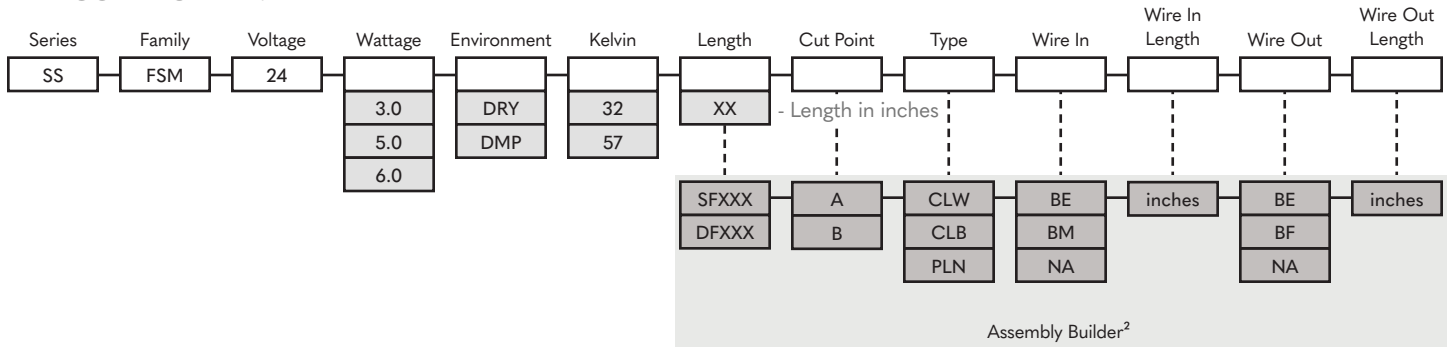


ORDER GUIDE - SIGNATURE SERIES

SS-FSM | FULL SPECTRUM



ORDER CODE BUILDER:



EXAMPLE ORDER CODE: SS-FSM-24-3.0-DRY-32-SF90-A-CLW-BE-60-BE-5

Notes:

1. Tolerances are +/- 5%
2. For continuous links consult the factory
3. Values are minimums

LENGTH - AS AN ASSEMBLY

For continuous links consult the factory

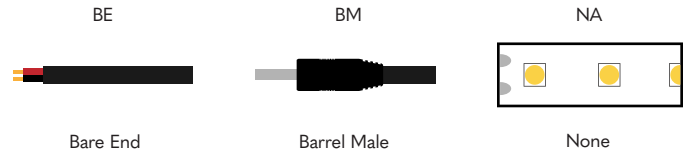


Single Fed - Length in Inches - 3 digits



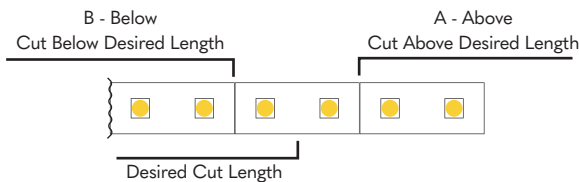
Double Fed - Length in Inches - 3 digits

WIRE IN

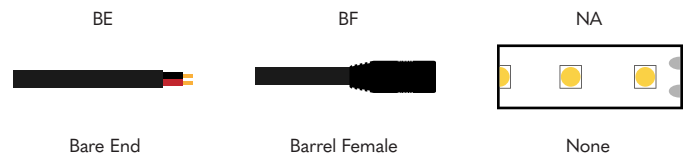


CUT POINT

If desired strip length is not possible, should the factory cut above or below your desired length:



WIRE OUT



WIRE TYPE

Wire environment will match Linear environment

CLW	Class 2 White
CLB	Class 2 Black
PLN	Plenum

Nova Flex retains the right to modify the design of our products at any time as part of the company's continual product improvement program

PROJECT

FIXTURE

PHASE

DATE

Rev: Jul.17.24.01:40

800.595.6302

novaflexled.com

ORDER GUIDE - TECHNICAL INFO

SS-FSM



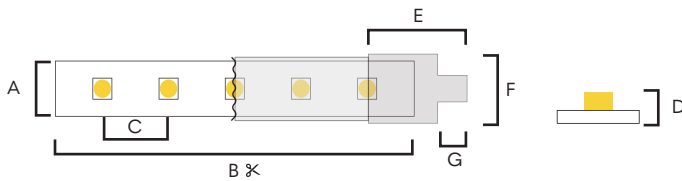
Notes:

1. Tolerances are +/- 5%
2. For continuous links consult the factory
3. Values are minimums

KELVIN

CCT	3.0W	5.0W	6.0W	All Wattages			
	Lumens/Ft ¹ DRY Environment			CRI Ra ³	CRI R9 ³	TM30 Rf ³	TM30 Rg ³
3200K	285	442	409	95	97	92	98
5700K	301	552	473	93	90	90	97

ENVIRONMENT AND DIMENSIONS



Section	Dry	Damp
A	10mm	12.1mm
B	50mm	50mm
C	8.3mm	8.2mm
D	1.85mm	3.80mm
E	-	8.14mm
F	-	14.2mm
G	-	3.18mm

PHYSICAL

Environment	Dry (Indoor only) Damp (Dust/splash proof)
IP Rating	Tested at IP20, IP67
Operating Temp	-13° to 158°F (-25° to 70°C)
Cut Length	1.31" (33.3 mm)
Min. Bend Diameter	Dry: 1.18" Inches (3 cm) Damp: 1.97" Inches (5 cm)
Max Run	3.0W 32' Feet (9.75 m)
	5.0W 19.2' Feet (5.85 m)
	6.0W 16.0' Feet (4.87 m)

ELECTRICAL

Voltage	24V - Dimmable
Wire Size (minimum)	20 AWG. 2 Conductor
Lumen Maintenance	50,000 Hrs
Warranty	Dry: 5 Years Damp: 5 years
CCT Binning	< 2-step MacAdam
Certifications	cULus Closet Rated

Nova Flex retains the right to modify the design of our products at any time as part of the company's continual product improvement program

PROJECT

FIXTURE

PHASE

DATE

Rev: Jul.17.24.01:40

800.595.6302

novaflexled.com

CHANNEL - COMPATIBILITY SIGNATURE SERIES



IP RATING

DRY Dry
 DMP Damp

BODY COLOR

SLV Silver
 BLK Black
 WHT White

LENS TYPE

CLR Clear
 SFT Soft
 BLK Black
 SLD Solid

See each channel's order guide for Channel order code

SURFACE

1707 DRY

Not Compatible with SS-TWH Linear Product

SLV
 BLK
 WHT*

CLR
 30° CLR
 60° CLR
 SFT
 BLK
 SLD

3525 DRY DMP

SLV
 BLK*
 WHT*

CLR
 SFT
 BLK

SURFACE

1813 DRY DMP

SLV
 BLK
 WHT*

CLR
 SFT
 BLK
 SLD

RECESSED

2515 DRY

SLV
 BLK*
 WHT*

CLR
 SFT
 BLK
 SLD

4540 DRY DMP

SLV
 BLK*
 WHT*

SFT
 BLK

For two-strip configurations, contact Nova Flex

ANGLED

1919U DRY DMP

SLV
 BLK*
 WHT*

CLR
 SFT
 BLK

For DMP configurations, contact Nova Flex

3030 SQ **3030 CR** DRY DMP

SLV
 BLK*
 WHT*

CLR
 SFT
 BLK

SQ CR

CLR
 CLR
 SFT
 SFT
 BLK
 BLK

BENDABLE

3916 DRY DMP

SLV
 BLK*
 WHT*

CLR
 SFT
 BLK
 SLD

For two-strip configurations, contact NovaFlex

1806 DRY

Not Compatible with SS-TWH Linear Product

SLV*
 BLK*
 WHT*

CLR
 SFT
 BLK
 SLD

For DRY configurations, contact Nova Flex

*Lead time for this configuration is 7-10 weeks

Nova Flex LED LLC retains the right to modify the design of our products at any time as part of the company's continual product improvement program

PROJECT

FIXTURE

PHASE

DATE

Rev: Jul.17.24.01:41

800.595.6302

novaflexled.com

CHANNEL - COMPATIBILITY SIGNATURE SERIES



IP RATING

DRY Dry
 DMP Wet

BODY COLOR

SLV Silver
 BLK Black
 WHT White

LENS TYPE

CLR Clear
 SFT Soft
 BLK Black
 SLD Solid

See each channel's order guide for Channel order code

UNIVERSAL

3560 DRY DMP

SLV*
 BLK
 WHT

SFT
 BLK
 SLD

For two-strip configurations, contact Nova Flex

2217 DRY DMP

SLV
 BLK*
 WHT*

CLR
 SFT
 BLK

MUD-IN

6214 DRY DMP

SLV
 BLK*
 WHT*

CLR
 SFT
 BLK
 SLD

CHANNELESS

2913 DRY DMP

SFT

SUSPENDED

3030 RN DRY DMP

SLV
 BLK*
 WHT*

SFT
 BLK

*Lead time for this configuration is 7-10 weeks

Nova Flex LED LLC retains the right to modify the design of our products at any time as part of the company's continual product improvement program

PROJECT

FIXTURE

PHASE

DATE

Rev: Jul.17.24.01:41

800.595.6302

novaflexled.com

COMPATIBILITY - POWER AND CONTROL

SS-FSM



Product Image	Product Code	Dimensions and Description	Compatible								
	<table border="1"> <tr> <td>Series</td> <td>Wattage</td> <td>Voltage</td> <td>Type</td> </tr> <tr> <td>NF-PS</td> <td>35W</td> <td>24V</td> <td>HW</td> </tr> </table> <p>35W Non-DIM Driver (Static)</p>	Series	Wattage	Voltage	Type	NF-PS	35W	24V	HW	Output Current: 1.5A Input Voltage: 90 - 246 VAC UL8750, Class 2, Type HL, FCC	
Series	Wattage	Voltage	Type								
NF-PS	35W	24V	HW								
	<table border="1"> <tr> <td>Series</td> <td>Wattage</td> <td>Voltage</td> <td>Type</td> </tr> <tr> <td>NF-PS</td> <td>60W</td> <td>24V</td> <td>HW</td> </tr> </table> <p>60W Non-DIM Driver (Static)</p>	Series	Wattage	Voltage	Type	NF-PS	60W	24V	HW	Output Current: 2.5A Input Voltage: 90 - 246 VAC UL8750, Class 2, Type HL, FCC	
Series	Wattage	Voltage	Type								
NF-PS	60W	24V	HW								
	<table border="1"> <tr> <td>Series</td> <td>Type</td> <td>Application</td> </tr> <tr> <td>NF</td> <td>A</td> <td>UNV</td> </tr> </table> <p>Universal Amplifier (Dynamic)</p>	Series	Type	Application	NF	A	UNV	Input Voltage: 12 - 36V DC Input Signal: PWM Max Load Current: 20A (5A/4CH) Max Output Power: 240 - 720W			
Series	Type	Application									
NF	A	UNV									
	<table border="1"> <tr> <td>Series</td> <td>Type</td> <td>Wattage</td> <td>Voltage</td> </tr> <tr> <td>NF-PS</td> <td>L3DO</td> <td>96W</td> <td>24V</td> </tr> </table> <p>96W Lutron (Dynamic)</p>	Series	Type	Wattage	Voltage	NF-PS	L3DO	96W	24V	Output Current: 4.0A Input Voltage: 120-277VAC UL8750, CSA250.13-14, Class 2	
Series	Type	Wattage	Voltage								
NF-PS	L3DO	96W	24V								
	<table border="1"> <tr> <td>Series</td> <td>Type</td> <td>Wattage</td> <td>Voltage</td> </tr> <tr> <td>NF</td> <td>WC</td> <td>MINI</td> <td>DRGB</td> </tr> </table> <p>Mini DRGB Dimmer (Dynamic)</p>	Series	Type	Wattage	Voltage	NF	WC	MINI	DRGB	Output: SPI Zones: 1 Dimming Function: 0 - 100% Battery Operated: 3V (CR2032)	
Series	Type	Wattage	Voltage								
NF	WC	MINI	DRGB								
	<table border="1"> <tr> <td>Series</td> <td>Type</td> <td>Wattage</td> <td>Voltage</td> </tr> <tr> <td>NF-PS</td> <td>MAXX</td> <td>30W</td> <td>24V-0/10V</td> </tr> </table> <p>30W DIM Driver (Dynamic)</p>	Series	Type	Wattage	Voltage	NF-PS	MAXX	30W	24V-0/10V	Output Current: 1.25A Input Voltage: 100-277 VAC UL8750, Class 2, Type HL, FCC	
Series	Type	Wattage	Voltage								
NF-PS	MAXX	30W	24V-0/10V								
	<table border="1"> <tr> <td>Series</td> <td>Type</td> <td>Wattage</td> <td>Voltage</td> </tr> <tr> <td>NF-PS</td> <td>MAXX</td> <td>288W</td> <td>24V-0/10V</td> </tr> </table> <p>96W DIM Driver (Dynamic)</p>	Series	Type	Wattage	Voltage	NF-PS	MAXX	288W	24V-0/10V	Output Current: 0.96A Max Input Voltage: 120-277 VAC UL8750, Class 2	
Series	Type	Wattage	Voltage								
NF-PS	MAXX	288W	24V-0/10V								
	<table border="1"> <tr> <td>Series</td> <td>Type</td> <td>Wattage</td> <td>Type</td> </tr> <tr> <td>NF</td> <td>S3i</td> <td>WR</td> <td>1009</td> </tr> </table> <p>S3i Wireless Receiver (Dynamic)</p>	Series	Type	Wattage	Type	NF	S3i	WR	1009	Output Power: 240 - 720w Output Current: 4 CH. 5A/CH Input: 12 - 36V DC Dimming: 0 - 100%	
Series	Type	Wattage	Type								
NF	S3i	WR	1009								
	<table border="1"> <tr> <td>Series</td> <td>Series</td> <td>Type</td> <td>Type</td> </tr> <tr> <td>NF</td> <td>S3i</td> <td>PB</td> <td>RGB/W</td> </tr> </table> <p>S3i Push Controller - RGB/W (Dynamic)</p>	Series	Series	Type	Type	NF	S3i	PB	RGB/W	Required to Pair: S3i-WR-1009 Zones: 1 Dimming Function: 0 - 100% and RGBW Color Battery Operated: 3V (CR2025)	
Series	Series	Type	Type								
NF	S3i	PB	RGB/W								
	<table border="1"> <tr> <td>Series</td> <td>Wattage</td> <td>Voltage</td> <td>Type</td> </tr> <tr> <td>NF</td> <td>S3i</td> <td>PB</td> <td>AS</td> </tr> </table> <p>S3i Push Controller - Adjustable (Dynamic)</p>	Series	Wattage	Voltage	Type	NF	S3i	PB	AS	Required to Pair: S3i-WR-1009 Zones: 1 Dimming Function: 0 - 100% and Kelvin Temp Battery Operated: 3V (CR2025)	
Series	Wattage	Voltage	Type								
NF	S3i	PB	AS								
	<table border="1"> <tr> <td>Series</td> <td>Wattage</td> <td>Voltage</td> <td>Type</td> </tr> <tr> <td>NF</td> <td>S3i</td> <td>PB</td> <td>D</td> </tr> </table> <p>S3i Push Controller - Static DIM (Dynamic)</p>	Series	Wattage	Voltage	Type	NF	S3i	PB	D	Required to Pair: S3i-WR-1009 Zones: 1 Dimming Function: 0 - 100% Battery Operated: 3V (CR2025)	
Series	Wattage	Voltage	Type								
NF	S3i	PB	D								

Nova Flex retains the right to modify the design of our products at any time as part of the company's continual product improvement program

PROJECT

FIXTURE

PHASE

DATE

Rev: Jun.27.24.06:09

800.595.6302

novaflexled.com

COMPATIBILITY - POWER AND CONTROL

SS-FSM



Product Image	Product Code	Dimensions and Description	Compatible								
	<table border="1"> <tr> <td>Series</td> <td>Wattage</td> <td>Voltage</td> <td>Type</td> </tr> <tr> <td>NF</td> <td>S3i</td> <td>WC</td> <td>RGB/W</td> </tr> </table> <p>S3i Handheld Controller - RGB/W (Dynamic)</p>	Series	Wattage	Voltage	Type	NF	S3i	WC	RGB/W	Required to Pair: S3i-WR-1009 Zones: 6 Dimming Function: 0 - 100% and RGBW Color Battery Operated: 3 AAA	
Series	Wattage	Voltage	Type								
NF	S3i	WC	RGB/W								
	<table border="1"> <tr> <td>Series</td> <td>Type</td> <td>Wattage</td> <td>Voltage</td> </tr> <tr> <td>NF</td> <td>S3i</td> <td>WC</td> <td>AS</td> </tr> </table> <p>S3i Handheld Controller - Adjustable (Dynamic)</p>	Series	Type	Wattage	Voltage	NF	S3i	WC	AS	Required to Pair: S3i-WR-1009 Zones: 6 Dimming Function: 0 - 100% and Kelvin Temp Battery Operated: 3 AAA	
Series	Type	Wattage	Voltage								
NF	S3i	WC	AS								
	<table border="1"> <tr> <td>Series</td> <td>Type</td> <td>Wattage</td> <td>Voltage</td> </tr> <tr> <td>NF</td> <td>S3i</td> <td>WC</td> <td>D</td> </tr> </table> <p>S3i Handheld Controller - Static DIM (Dynamic)</p>	Series	Type	Wattage	Voltage	NF	S3i	WC	D	Required to Pair: S3i-WR-1009 Zones: 6 Dimming Function: 0 - 100% Battery Operated: 3 AAA	
Series	Type	Wattage	Voltage								
NF	S3i	WC	D								
	<table border="1"> <tr> <td>Series</td> <td>Type</td> <td>Wattage</td> <td>Voltage</td> </tr> <tr> <td>NF</td> <td>S3i</td> <td>TP</td> <td>RGB</td> </tr> </table> <p>S3i Touch Panel - RGB (Dynamic)</p>	Series	Type	Wattage	Voltage	NF	S3i	TP	RGB	Required to Pair: S3i-WR-1009 Zones: 4 Power Consumption: 200 mA Dimming Function: 0 - 100% and RGB Color	
Series	Type	Wattage	Voltage								
NF	S3i	TP	RGB								
	<table border="1"> <tr> <td>Series</td> <td>Type</td> <td>Wattage</td> <td>Voltage</td> </tr> <tr> <td>NF</td> <td>S3i</td> <td>TP</td> <td>RGB/W</td> </tr> </table> <p>S3i Touch Panel - RGB/W (Dynamic)</p>	Series	Type	Wattage	Voltage	NF	S3i	TP	RGB/W	Required to Pair: S3i-WR-1009 Zones: 3 Power Consumption: 20 mA Dimming Function: 0 - 100% and RGBW Color	
Series	Type	Wattage	Voltage								
NF	S3i	TP	RGB/W								
	<table border="1"> <tr> <td>Series</td> <td>Type</td> <td>Wattage</td> <td>Voltage</td> </tr> <tr> <td>NF</td> <td>S3i</td> <td>TP</td> <td>AS</td> </tr> </table> <p>S3i Touch Panel - Adjustable (Dynamic)</p>	Series	Type	Wattage	Voltage	NF	S3i	TP	AS	Required to Pair: S3i-WR-1009 Zones: 3 Power Consumption: 200 mA Dimming Function: 0 - 100% and Kelvin Temp	
Series	Type	Wattage	Voltage								
NF	S3i	TP	AS								
	<table border="1"> <tr> <td>Series</td> <td>Type</td> <td>Wattage</td> <td>Voltage</td> </tr> <tr> <td>NF</td> <td>S3i</td> <td>TP</td> <td>D</td> </tr> </table> <p>S3i Touch Panel - Static Dim (Dynamic)</p>	Series	Type	Wattage	Voltage	NF	S3i	TP	D	Required to Pair: S3i-WR-1009 Zones: 4 Power Consumption: 200 mA Dimming Function: 0 - 100%	
Series	Type	Wattage	Voltage								
NF	S3i	TP	D								
	<table border="1"> <tr> <td>Series</td> <td>Type</td> <td>Wattage</td> <td>Voltage</td> </tr> <tr> <td>NF</td> <td>DMX</td> <td>5A</td> <td>4CH</td> </tr> </table> <p>Universal DIM Decoder - DMX and/or 0-100 (Dynamic)</p>	Series	Type	Wattage	Voltage	NF	DMX	5A	4CH	Output Current: 5A x 4CH Input Voltage: 12 - 25 VDC UL8750, Class 2, Type HL, FCC	
Series	Type	Wattage	Voltage								
NF	DMX	5A	4CH								
	<table border="1"> <tr> <td>Series</td> <td>Wattage</td> <td>Voltage</td> <td>Type</td> </tr> <tr> <td>NF</td> <td>DMX</td> <td>PIXEL</td> <td>DECODER</td> </tr> </table> <p>DMX to S3i Decoder for Pixel (Dynamic)</p>	Series	Wattage	Voltage	Type	NF	DMX	PIXEL	DECODER	Output Signal: SPI Decoding Channels: 512 Input Voltage: 5 - 24 VDC UR and UL recognized component	
Series	Wattage	Voltage	Type								
NF	DMX	PIXEL	DECODER								
	<table border="1"> <tr> <td>Series</td> <td>Type</td> <td>Wattage</td> <td>Voltage</td> </tr> <tr> <td>NF-PS</td> <td>UNV</td> <td>30W</td> <td>24V</td> </tr> </table> <p>Universal DIM Power 30 Watts (Dynamic)</p>	Series	Type	Wattage	Voltage	NF-PS	UNV	30W	24V	Output Current: 0.5 A Input Voltage: 120 - 277 VAC UL8750, Class 2, Type HL, FCC	
Series	Type	Wattage	Voltage								
NF-PS	UNV	30W	24V								
	<table border="1"> <tr> <td>Series</td> <td>Type</td> <td>Wattage</td> <td>Voltage</td> </tr> <tr> <td>NF-PS</td> <td>UNV</td> <td>60W</td> <td>24V</td> </tr> </table> <p>Universal DIM Power 60 Watts (Dynamic)</p>	Series	Type	Wattage	Voltage	NF-PS	UNV	60W	24V	Output Current: 2.5A Input Voltage: 100-277 VAC UL8750, Class 2, Type HL, FCC	
Series	Type	Wattage	Voltage								
NF-PS	UNV	60W	24V								

Nova Flex retains the right to modify the design of our products at any time as part of the company's continual product improvement program

PROJECT

FIXTURE

PHASE

DATE

Rev: Jun.27.24.06:09









800.595.6302

novaflexled.com

COMPATIBILITY - POWER AND CONTROL

SS-FSM



Product Image	Product Code	Dimensions and Description	Compatible								
	<table border="1"> <tr> <td>Series</td> <td>Type</td> <td>Wattage</td> <td>Voltage</td> </tr> <tr> <td>NF-PS</td> <td>UNV</td> <td>80W</td> <td>24V</td> </tr> </table> <p>Universal DIM Power 80 Watts (Dynamic)</p>	Series	Type	Wattage	Voltage	NF-PS	UNV	80W	24V	<p>Output Current: 3.33 A Input Voltage: 100-277 VAC</p> <p>UL8750, Class 2, Type HL, FCC</p>	
Series	Type	Wattage	Voltage								
NF-PS	UNV	80W	24V								
	<table border="1"> <tr> <td>Series</td> <td>Type</td> <td>Wattage</td> <td>Voltage</td> </tr> <tr> <td>NF-PS</td> <td>UNV</td> <td>96W</td> <td>24V</td> </tr> </table> <p>Universal DIM Power 96 Watts (Dynamic)</p>	Series	Type	Wattage	Voltage	NF-PS	UNV	96W	24V	<p>Output Current: 4A Input Voltage: 100-277 VAC</p> <p>UL8750, Class 2, Type HL, FCC</p>	
Series	Type	Wattage	Voltage								
NF-PS	UNV	96W	24V								
	<table border="1"> <tr> <td>Series</td> <td>Type</td> <td>Wattage</td> <td>Voltage</td> </tr> <tr> <td>NF-PS</td> <td>UNV</td> <td>288W</td> <td>24V</td> </tr> </table> <p>Universal DIM Power 288 Watts (Dynamic)</p>	Series	Type	Wattage	Voltage	NF-PS	UNV	288W	24V	<p>Output Current: 3x4A Input Voltage: 100-277 VAC</p> <p>UL8750, Class 2, Type HL, FCC</p>	
Series	Type	Wattage	Voltage								
NF-PS	UNV	288W	24V								
	<table border="1"> <tr> <td>Series</td> <td>Type</td> <td>Wattage</td> <td>Voltage</td> </tr> <tr> <td>NF-PS</td> <td>UNV</td> <td>384W</td> <td>24V</td> </tr> </table> <p>Universal Non-DIM Power 384 Watts (Dynamic)</p>	Series	Type	Wattage	Voltage	NF-PS	UNV	384W	24V	<p>Output Current: 4x4A Input Voltage: 100-277 VAC</p> <p>UL8750, Class 2, Type HL, FCC</p>	
Series	Type	Wattage	Voltage								
NF-PS	UNV	384W	24V								

Nova Flex retains the right to modify the design of our products at any time as part of the company's continual product improvement program

PROJECT

FIXTURE

PHASE

DATE

Rev: Jun.27.24.06:09

800.595.6302

novaflexled.com


COMPATIBILITY - ACCESSORIES

LINEAR ACCESSORIES



QUICK CONNECT


HARDWIRE TO FEMALE



Series Family Length
 NF-C F 10FT

Available Lengths: 10' ft


HARDWIRE TO MALE



Series Family Length
 NF-C M 10FT

Available Lengths: 10' ft

MALE TO FEMALE




Series Family Length
 NF-C MF 10FT

Available Lengths: 10' ft

Y CABLE


2 MALE, 1 FEMALE



Series Family
 NF-C Y

Available Lengths: 20" in


4 MALE, 1 FEMALE



Series Family Type
 NF-C Y 4Y

Total Length: 20" in

8 MALE, 1 FEMALE




Series Family Type
 NF-C Y 8Y

Total Length: 17.25" in

QUICK CONNECT ADAPTER


HARDWIRE TO MALE



Series Family
 NF-C M/HW

1.5" x 0.5" x 0.5" in

HARDWIRE TO FEMALE




Series Family
 NF-C F/HW

1.5" x 0.5" x 0.5" in

WIRE BY FOOT

Series Family Environment Conductors Color Length
 NF-C HH DRY


2C	BK
3C	WT
4C	
5C	



Available Lengths: 10' ft

CLIPS


HARD CLIPS - 20 PER PACK



Series Family Type
 NF CLIPS H

1.125 x 0.25 in
 Clips add 0.125" to height of lights

SOFT CLIPS - 20 PER PACK

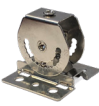


Series Family Type
 NF CLIPS H

1.125 x 0.25 in
 Clips add 0.125" to height of lights

HARDWARE*

UNIVERSAL ADJUSTABLE CLIP



Series Family Type
 NF-CH UNV CLIPS/ADJ

1.13 x 1.00 in

*Contact manufacturer for compatibility.

Nova Flex retains the right to modify the design of our products at any time as part of the company's continual product improvement program

PROJECT

FIXTURE

PHASE

DATE

Rev: Jul.17.24.10:25

800.595.6302

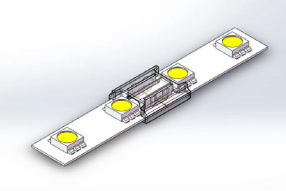
novaflexled.com

COMPATIBILITY - ACCESSORIES

SMD CONNECTORS - 2 CONDUCTORS



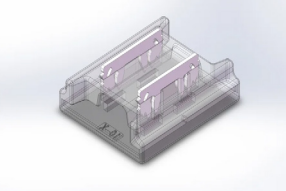
SMD CONNECTORS - 2 CONDUCTORS



DRY | SINGLE COLOR | 2 CONDUCTORS
10MM PCB WIDTH | STRIP TO STRIP

COMPATIBLE WITH:
SIGNATURE DRY: WHE, DTW, HDD, FSM

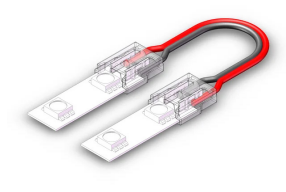
Series	Color	Type	Size	Environment	Conductors	Quantity
SMD	SLC	STS	10	DRY	2C	05



DRY | SINGLE COLOR | 2 CONDUCTORS
10MM PCB WIDTH | STRIP TO WIRE
CUSTOMER SUPPLIED WIRE

COMPATIBLE WITH:
SIGNATURE DRY: WHE, DTW, HDD, FSM

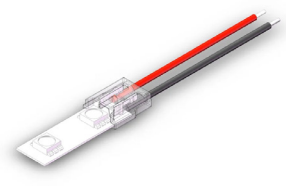
Series	Color	Type	Size	Environment	Conductors	Quantity
SMD	SLC	STW	10	DRY	2C	05



DRY | SINGLE COLOR | 2 CONDUCTORS
10MM PCB WIDTH | STRIP TO STRIP WITH
15CM WIRE IN THE MIDDLE

COMPATIBLE WITH:
SIGNATURE DRY: WHE, DTW, HDD, FSM

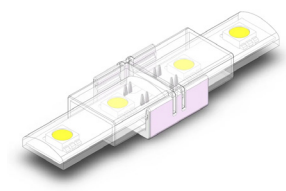
Series	Color	Type	Size	Environment	Conductors	Quantity
SMD	SLC	J15	10	DRY	2C	05



DRY | SINGLE COLOR | 2 CONDUCTORS
10MM PCB WIDTH | POWER FEED WITH
15CM WIRE IN THE MIDDLE

COMPATIBLE WITH:
SIGNATURE DRY: WHE, DTW, HDD, FSM

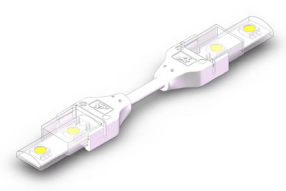
Series	Color	Type	Size	Environment	Conductors	Quantity
SMD	SLC	W15	10	DRY	2C	05



DRY/DAMP/WET | SINGLE COLOR
2 CONDUCTORS | 10MM PCB WIDTH
STRIP TO STRIP

COMPATIBLE WITH:
SIGNATURE DRY: WHE, DTW, HDD, FSM
NFDS, NFPS: ALL SWH EXCEPT 6.6W, 5.9W

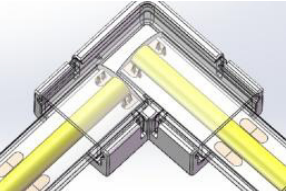
Series	Color	Type	Size	Environment	Conductors	Quantity
SMD	SLC	STS	10	DAW	2C	05



DRY/DAMP/WET | SINGLE COLOR
2 CONDUCTORS | 10MM PCB WIDTH
STRIP TO STRIP WITH 15CM WIRE

COMPATIBLE WITH:
SIGNATURE DRY: WHE, DTW, HDD, FSM
NFDS, NFPS: ALL SWH EXCEPT 6.6W, 5.9W

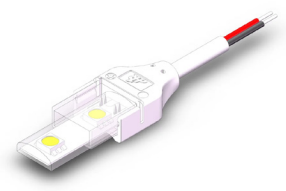
Series	Color	Type	Size	Environment	Conductors	Quantity
SMD	SLC	J15	10	DAW	2C	05



DRY/DAMP/WET | SINGLE COLOR
2 CONDUCTORS | 10MM PCB WIDTH
STRIP TO STRIP L-TYPE

COMPATIBLE WITH:
SIGNATURE DRY: WHE, DTW, HDD, FSM
NFDS, NFPS: ALL SWH EXCEPT 6.6W, 5.9W

Series	Color	Type	Size	Environment	Conductors	Quantity
SMD	SLC	L90	10	DAW	2C	05



DRY/DAMP/WET | SINGLE COLOR
2 CONDUCTORS | 10MM PCB WIDTH
POWER FEED WITH 15CM WIRE

COMPATIBLE WITH:
SIGNATURE DRY: WHE, DTW, HDD, FSM
NFDS, NFPS: ALL SWH EXCEPT 6.6W, 5.9W

Series	Color	Type	Size	Environment	Conductors	Quantity
SMD	SLC	W15	10	DAW	2C	05

Nova Flex retains the right to modify the design of our products at any time as part of the company's continual product improvement program

PROJECT

FIXTURE

PHASE

DATE

Rev: Apr.16.24.11:16

800.595.6302

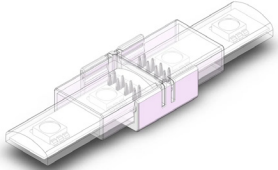
novaflexled.com

COMPATIBILITY - ACCESSORIES

SMD CONNECTORS



SMD CONNECTORS - 4 CONDUCTORS

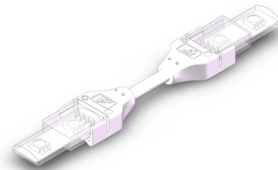


DRY/DAMP/WET | RGB | 4 CONDUCTORS
10 MM PCB WIDTH | STRIP TO STRIP

COMPATIBLE WITH:

- NFDS RGB
- NFPS RGB

Series	Color	Type	Size	Environment	Conductors	Quantity
SMD	SLC	STS	10	DAW	4C	05

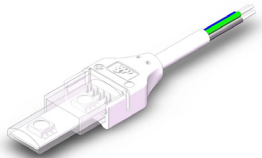


DRY/DAMP/WET | RGB | 4 CONDUCTORS
10MM PCB WIDTH | STRIP TO STRIP WITH
15CM WIRE IN THE MIDDLE

COMPATIBLE WITH:

- NFDS RGB
- NFPS RGB

Series	Color	Type	Size	Environment	Conductors	Quantity
SMD	SLC	J15	10	DAW	4C	05



DRY/DAMP/WET | RGB | 4 CONDUCTORS
10MM PCB WIDTH
POWER FEED WITH 15CM WIRE

COMPATIBLE WITH:

- NFDS RGB
- NFPS RGB

Series	Color	Type	Size	Environment	Conductors	Quantity
SMD	SLC	W15	10	DAW	4C	05

Nova Flex retains the right to modify the design of our products at any time as part of the company's continual product improvement program

PROJECT

FIXTURE

PHASE

DATE

Rev: Apr.16.24.11:16

800.595.6302

novaflexled.com